



DIECI



35.7



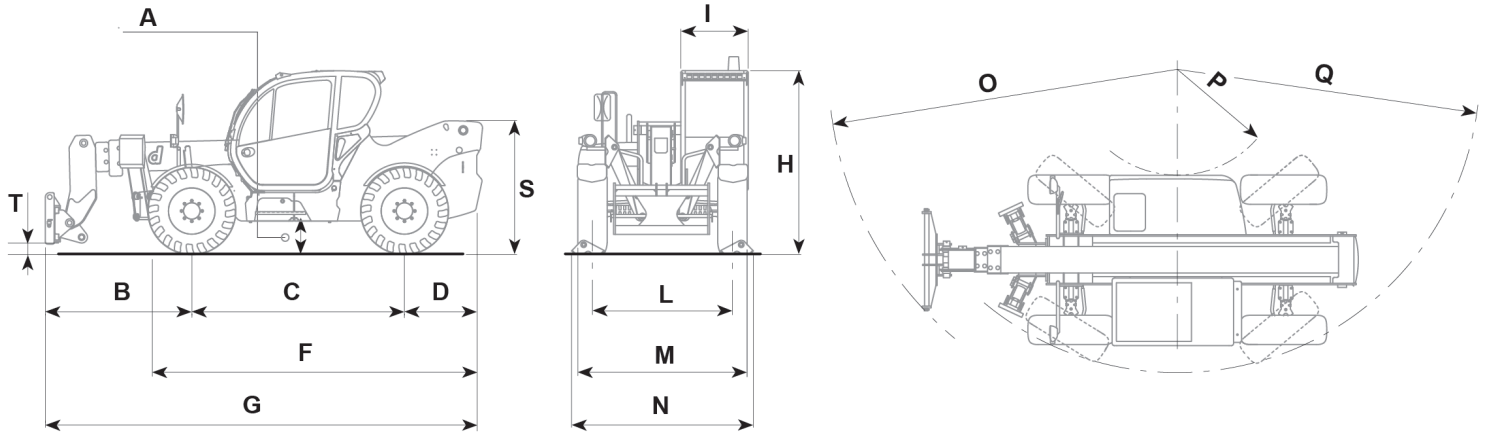
40.13

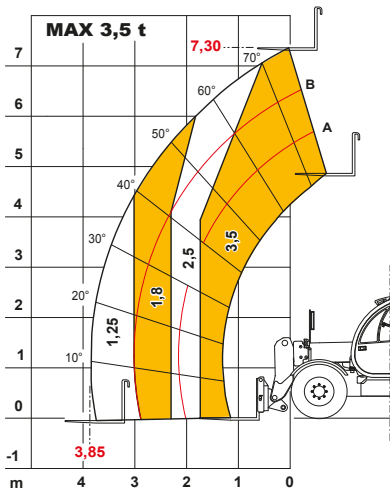
RUNNER

PERFORMANCE		
Machine model	RUNNER 35.7	RUNNER 40.13
Maximum capacity	3500 kg (7716 lb)	4000 kg (8818 lb)
Maximum lifting height on wheels	7,30 m (24 ft)	12,20 m (40 ft)
Maximum horizontal extension on wheels	3,85 m (13 ft)	8,75 m (29 ft)
Fork swiveling angle	134°	134°
Pull-out force	5700 daN (12814 lbf)	7300 daN (16411 lbf)
Towing force	5700 daN (12814 lbf)	7300 daN (16411 lbf)
Maximum climb angle	40%	40%
Unladen weight	8020 kg (17681 lb)	10420 kg (22972 lb)
Maximum speed	40 km/h (24,9 mph)	40 km/h (24,9 mph)
BOOM		
Machine model	RUNNER 35.7	RUNNER 40.13
Lifting	11,8 s	10,0 s
Getting off the basket	6,9 s	5,9 s
Extension	7,0 s	18,6 s
Retraction	3,9 s	13,6 s
Forward swiveling	3,9 s	3,3 s
Reverse swiveling	2,4 s	2,1 s
ENGINE		
Machine model	RUNNER 35.7	RUNNER 40.13
Brand	Kubota	Kubota
Nominal power	83,5 kW (112 HP)	83,5 kW (112 HP)
@rpm	2600 rpm	2600 rpm
Operation	4-stroke	4-stroke
Injection	Electronic, Common Rail	Electronic, Common Rail
Number and arrangement of cylinders	4, Vertical in line	4, Vertical in line
Displacement	3769 cm ³ (230 in ³)	3769 cm ³ (230 in ³)
Consumption	231 g/kWh (380 lb/Hp h)	231 g/kWh (380 lb/Hp h)
@rpm	2600 rpm	2600 rpm
Emission standards	Stage IIIB/Tier 4i	Stage IIIB/Tier 4i
Exhaust gas treatment	Particulate filter (DPF)	Particulate filter (DPF)
Cooling system	Liquid	Liquid
Intake	Turbo compressor after-cooler	Turbo compressor after-cooler
DIFFERENTIAL AXLES		
Machine model	RUNNER 35.7	RUNNER 40.13
Axles type	2 steering, with 4 planetary reduction gears	2 steering, with 4 planetary reduction gears
Type of steering	4 wheels / transversal / 2 wheels	4 wheels / transversal / 2 wheels
Front axle	Rigid (Levelling upon request)	Rigid (Levelling upon request)
Rear axle	Swinging	Swinging
Service braking	Oil bath with servo brake on front and rear axle with double hydraulic system	Oil bath with servo brake on front and rear axle with double hydraulic system
Parking braking	Negative actuation with electrical control	Negative actuation with electrical control
HYDRAULIC SYSTEM		
Machine model	RUNNER 35.7	RUNNER 40.13
Hydraulic pump type	Gear pump for power steering and movements	Gear pump for power steering and movements
Hydraulic pump capacity	170 L/min (44,9 gal/min)	170 L/min (44,9 gal/min)
Max. operating pressure	25,0 MPa (3626 psi)	25,0 MPa (3626 psi)
Distributor control	4in1 proportional Joystick	4in1 proportional Joystick
REFUELING		
Machine model	RUNNER 35.7	RUNNER 40.13
Hydraulic system (total)	155,0 L (40,95 gal)	168,0 L (44,38 gal)
Diesel tank	105,0 L (27,74 gal)	105,0 L (27,74 gal)
TRANSMISSION		
Machine model	RUNNER 35.7	RUNNER 40.13
Transmission type	Hydrostatic with variable flow pump	Hydrostatic with variable flow pump
Hydraulic motor	Hydrostatic with continuous automatic adjustment	Hydrostatic with continuous automatic adjustment
Reversal	Electro-Hydraulic	Electro-Hydraulic
Inching	With hydraulic pedal for controlled forward movement	With hydraulic pedal for controlled forward movement
Transmission gearbox	Servocontrolled 2-speed	Servocontrolled 2-speed
TIRES		
Machine model	RUNNER 35.7	RUNNER 40.13
Standard tires	400/70x20"	400/70x20"
Optional tires	400/70x24"; 18x22.5"	400/70x24"; 18x22.5"

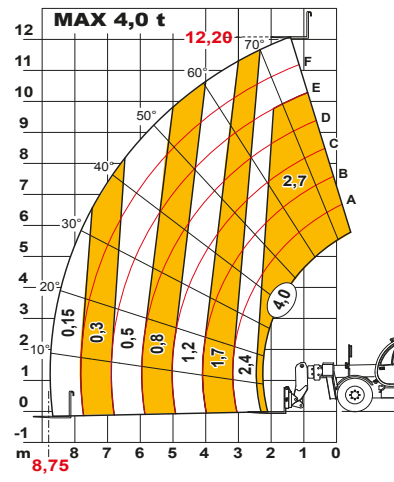
DIMENSIONS

Machine model	RUNNER 35.7	RUNNER 40.13
A	440 mm (17,3 in)	440 mm (17,3 in)
B	1180 mm (46,5 in)	2110 mm (83,1 in)
C	2600 mm (102,4 in)	2600 mm (102,4 in)
D	860 mm (33,9 in)	880 mm (34,6 in)
F	4000 mm (157,5 in)	4080 mm (160,6 in)
G	4640 mm (182,7 in)	5590 mm (220,1 in)
H	2460 mm (96,9 in)	2460 mm (96,9 in)
I	940 mm (37 in)	940 mm (37 in)
L	1910 mm (75,2 in)	1910 mm (75,2 in)
M	2310 mm (90,9 in)	2320 mm (91,3 in)
N	-	2480 mm (97,6 in)
O	3930 mm (154,7 in)	4550 mm (179,1 in)
P	1260 mm (49,6 in)	1260 mm (49,6 in)
Q	3920 mm (154,3 in)	3920 mm (154,3 in)
S	-	-
T	100 mm (3,9 in)	110 mm (4,3 in)

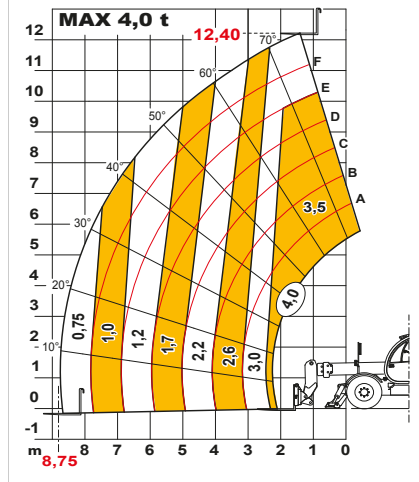




Runner 35.7



Runner 40.13



Runner 40.13



CO.MA.CO S.r.l.

via XIV Strada 21 - 20020 Cesate (MI) - Italy

Tel. +39 02 99065169

info@comacopro.com

www.comacopro.com