



DIECI



APOLLO R



25.6 R

PERFORMANCE

Machine model	APOLLO 25.6 R
Maximum capacity	2500 kg (5512 lb)
Maximum lifting height on wheels	5,78 m (19 ft)
Maximum horizontal extension on wheels	3,25 m (11 ft)
Fork swiveling angle	129°
Pull-out force	7600 daN (17085 lbf)
Towing force	3400 daN (7644 lbf)
Maximum climb angle	40%
Unladen weight	4800 kg (10582 lb)
Maximum speed	23 km/h (14,3 mph)

BOOM

Machine model	APOLLO 25.6 R
Lifting	8,8 s
Getting off the basket	4,1 s
Extension	6,1 s
Retraction	3,4 s
Forward swiveling	3,5 s
Reverse swiveling	2,2 s

ENGINE

Machine model	APOLLO 25.6 R
Brand	Kubota
Nominal power	36,5 kW (49 HP)
@rpm	2700 rpm
Operation	4-stroke
Injection	Mechanical
Number and arrangement of cylinders	4, Vertical in line
Displacement	2615 cm ³ (160 in ³)
Consumption	235 g/kWh (386,58 lb/Hp h)
@rpm	2700 rpm
Emission standards	Stage IIIA/Tier 3
Cooling system	Liquid
Intake	Natural

DIFFERENTIAL AXLES

Machine model	APOLLO 25.6 R
Axles type	2 steering, with 4 planetary reduction gears
Type of steering	4 wheels / transversal / 2 wheels
Front axle	Rigid
Rear axle	Swinging
Service braking	Oil bath on front axle
Parking braking	Negative actuation with electrical control

HYDRAULIC SYSTEM

Machine model	APOLLO 25.6 R
Hydraulic pump type	Gear pump for power steering and movements
Hydraulic pump capacity	70 L/min (18,5 gal/min)
Max. operating pressure	23,0 MPa (3336 psi)
Distributor control	4in1 proportional Joystick

REFUELING

Machine model	APOLLO 25.6 R
Hydraulic system (total)	70,0 L (18,49 gal)
Diesel tank	80,0 L (21,13 gal)

TRANSMISSION

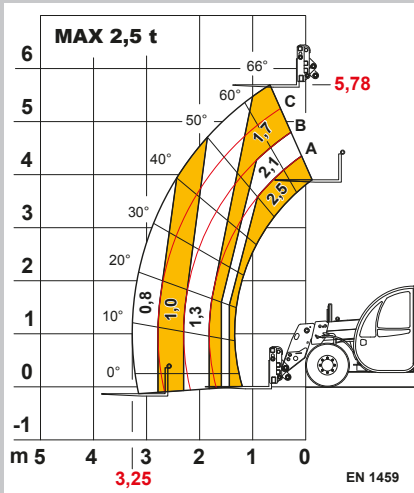
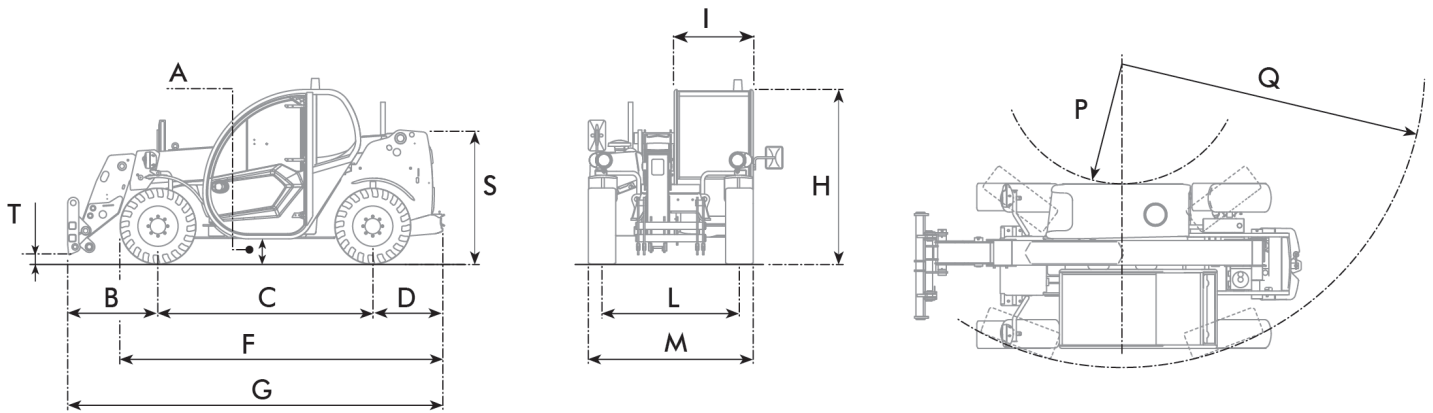
Machine model	APOLLO 25.6 R
Transmission type	Single speed Hydrostatic transmission with variable displacement pump
Hydraulic motor	Hydrostatic with continuous automatic adjustment
Reversal	Electro-Hydraulic
Inching	With hydraulic pedal for controlled forward movement

TIRES

Machine model	APOLLO 25.6 R
Standard tires	12x16.5"
Optional tires	12x18"

DIMENSIONS

Machine model	APOLLO 25.6 R
A	270 mm (10,6 in)
B	985 mm (38,8 in)
C	2350 mm (92,5 in)
D	765 mm (30,1 in)
F	3535 mm (139,2 in)
G	4125 mm (162,4 in)
H	1950 mm (76,8 in)
I	1850 mm (72,8 in)
L	1500 mm (59,1 in)
M	1850 mm (72,8 in)
P	1460 mm (57,5 in)
Q	3555 mm (140 in)
S	1433 mm (56,4 in)
T	200 mm (7,9 in)



Apollo 25.6



CO.MA.CO S.r.l.

via XIV Strada 21 - 20020 Cesate (MI) - Italy

Tel. +39 02 99065169

info@comacopro.com

www.comacopro.com