

Specifications

Models	QS-12		QS-15		QS-20	
Measurements	Metric	US	Metric	US	Metric	US
Working height*	5.45 m	17 ft 4 in	6.52 m	20 ft 10 in	8.02 m	25 ft 9 in
Platform height	3.45 m	11 ft 4 in	4.52 m	14 ft 10 in	6.02 m	19 ft 9 in
A B Platform dimensions (length x width)						
With tray down	89 cm x 73 cm	35 x 28.8 in	89 cm x 73 cm	35 x 28.8 in	89 cm x 73 cm	35 x 28.8 in
With tray up	1.4 m x 73 cm	56 x 28.8 in	1.4 m x 73 cm	56 x 28.8 in	1.4 m x 73 cm	56 x 28.8 in
C Height - stowed	1.57 m	5 ft 2 in	1.57 m	5 ft 2 in	1.98 m	6 ft 6 in
D Length - stowed	1.35 m	4 ft 5 in	1.35 m	4 ft 5 in	1.35 m	4 ft 5 in
E Width	75 cm	2 ft 5.5 in	75 cm	2 ft 5.5 in	80 cm	2 ft 7.5 in
F Ground clearance - center	6 cm	2.5 in	6 cm	2.5 in	6 cm	2.5 in

Productivity

Max platform occupancy (indoor/outdoor) ¹	1/-	1/-	1/-	1/-	1/-	1/-
Lift capacity	227 kg	500 lbs	227 kg	500 lbs	159 kg	350 lbs
Drive speed - stowed	4.0 km/h	2.5 mph	4.0 km/h	2.5 mph	4.0 km/h	2.5 mph
Drive speed - raised	0.8 km/h	0.5 mph	0.8 km/h	0.5 mph	0.8 km/h	0.5 mph
Gradeability**	30%	30%	30%	30%	30%	30%
Turning radius - inside	zero	zero	zero	zero	zero	zero
Turning radius - outside	1.42 m	4 ft 7 in	1.42 m	4 ft 7 in	1.42 m	4 ft 7 in
Raise / lower speed	20 / 18 sec	20 / 18 sec	21 / 19 sec	21 / 19 sec	24 / 21 sec	24 / 21 sec
Controls	24V DC proportional		24V DC proportional		24V DC	
Tyres - solid non-marking	25 x 8 x 20 cm	10 x 3 x 8 in	25 x 8 x 20 cm	10 x 3 x 8 in	25 x 8 x 20 cm	10 x 3 x 8 in

Power

Power source	24V (four 6V 225 Ah maintenance-free batteries)		24V (four 6V 225 Ah maintenance-free batteries)		24V (four 6V 225Ah maintenance-free batteries)	
Hydraulic system capacity	2.2 gal	8.33 L	2.2 gal	8.33 L	2.2 gal	8.33 L

Sound & Vibration Levels

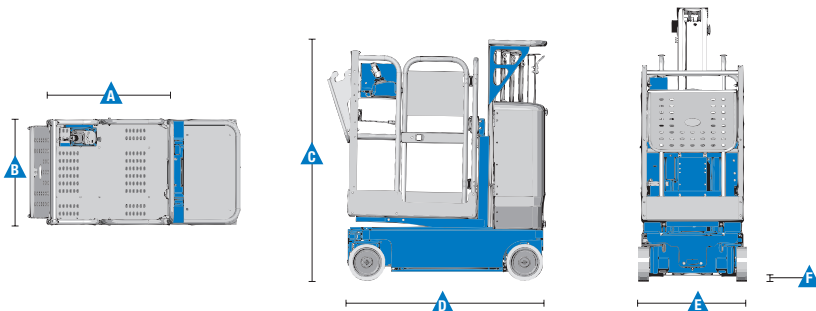
Sound pressure level (ground workstation)	<70 dBA	<70 dBA	<70 dBA	<70 dBA	<70 dBA	<70 dBA
Sound pressure level (platform workstation)	<70 dBA	<70 dBA	<70 dBA	<70 dBA	<70 dBA	<70 dBA
Vibration	<2.5 m/s ²	<8 ft 2 in/s ²	<2.5 m/s ²	<8 ft 2 in/s ²	<2.5 m/s ²	<8 ft 2 in/s ²

Weight***

Retail (R) configuration	730 kg	1,609 lbs	1,007 kg	2,220 lbs	1,124 kg	2,479 lbs
Warehouse (W) configuration	717 kg	1,581 lbs	994 kg	2,192 lbs	1,112 kg	2,451 lbs

Standards Compliance

EU Directives: 2006/42/EC - Machinery (harmonized standard EN280:2013); 2004/108/EC (EMC); 2006/95/EC (LVD)



¹ Indoor use only.

* The metric equivalent of working height adds 2 m to platform height. U.S. adds 6 ft to platform height.

** Gradeability applies to driving on slopes. See operator's manual for details regarding slope rating.

*** Weight will vary depending on options and/or country standards.

Features

Standard Features	Easily configured To Meet Your Needs	Options & Accessories
-------------------	--------------------------------------	-----------------------

Measurements

QS-12R & QS-12W

- 5.45 m (17 ft 4 in) working height
- 3.45 m (11 ft 4 in) platform height
- Up to 227 kg (500 lbs) lift capacity

QS-15R & QS-15W

- 6.52 m (20 ft 10 in) working height
- 4.52 m (14 ft 10 in) platform height
- Up to 227 kg (500 lbs) lift capacity

QS™-20R & QS™-20W

- 8.02 m (25 ft 9 in) working height
- 6.02 m (19 ft 9 in) platform height
- Up to 159 kg (350 lbs) lift capacity

Productivity

- Auxiliary platform lowering
- Low 39 cm (15.5 in) platform entry height
- Patented rigid mast system
- Enclosed platform cables
- Front folding Tray
- Compact base 0.75 x 1.35 m (29.5 x 53 in) (QS-12 & QS-15 only)
- SmartLink™ control system
- Fully proportional lift and drive controls
- Battery charge indicator
- LED dual flashing beacons
- On-board diagnostic system
- AC power to platform (cable only)
- Descent and tilt alarm
- Motion Alarm
- Zero inside turning radius
- Dual wheel brakes
- Hydraulic brake release
- Pothole protection
- Hinged rear ABS covers for easy access to all major electrical and hydraulic components
- Tie down attachment points
- Overhead crane attachment point
- Large forklift pockets access
- Obstruction sensing pad
- Telematics-Ready Connector

Platform

- Stockpicker platform with dual side entry gates and front folding tray

Power

- 24V (four 6V 225 Ah maintenance-free batteries) with automatic 25 amp battery charger and 1.8 m (6 ft) charger cord

Tyres

- Non-marking solid

Productivity

- Power to platform: plug, socket, with optional Residual-current Circuit Breaker with Overcurrent protection
- Biodegradable hydraulic oil
- Adjustable front tray, size 64 x 46 cm (25 x 18 in), with a height range of 71 cm/1.27 m (28 in to 50 in) from the ground
- Platform Bike Rack
- Drive cutout while charging
- Track & Trace⁽²⁾ (GPS unit providing machine location & operating information)



⁽¹⁾ Factory-fit option only
⁽²⁾ Includes a first 2 years subscription

United Kingdom and MESART

The Maltings, Wharf Road, Grantham NG31 6BH, T: +44 800 988 3739 (toll free), Fax +44 (0)1476 584334, Email AWP-InfoEurope@terex.com
Middle East, Southern Africa, Russia and Turkey, T: +971 4 399 0381, Email AWP-InfoME@terex.com
Visit www.genielift.com/en-gb/about-genie/locations to view our global locations list.

Worldwide Manufacturing And Distribution

Australia · Brazil · Caribbean · Central America · China · France · Germany · Italy · Japan · Korea · Mexico · Russia · Southeast Asia · Spain · Sweden · United Arab Emirates · United Kingdom · United States

Product specifications and prices are subject to change without notice or obligation. The photographs and/or drawings in this document are for illustrative purposes only. Refer to the appropriate Operator's Manual for instructions on the proper use of this equipment. Failure to follow the appropriate Operator's Manual when using our equipment or to otherwise act irresponsibly may result in serious injury or death. The only warranty applicable to our equipment is the standard written warranty applicable to the particular product and sale and we make no other warranty, express or implied. Products and services listed may be trademarks, service marks or trade names of Terex Corporation and/or their subsidiaries in the USA and many other countries. Genie is a registered trademark of Terex South Dakota, Inc. © 2019 Terex Corporation.

