

**DIECI**



**APOLLO SMART**

**20.4**



**dieci.com**

## PERFORMANCE

Vehicle model	APOLLO 20.4 SMART
Maximum capacity	2000 kg (4409 lb)
Maximum lifting height	4,35 m (14,3 ft)
Maximum horizontal extension	1,53 m (5 ft)
Fork swiveling angle	133°
Pull-out force	3365 daN (7565 lbf)
Towing force	3177 daN (7142 lbf)
Maximum climb angle	56%
Unladen weight	4300 kg (9480 lb)
Max speed (referred to wheels with maximum permitted diameter)	25 km/h (15,5 mph)

## BOOM

Vehicle model	APOLLO 20.4 SMART
Lifting	7,0 s
Descent	5 s
Extension	6 s
Retraction	4 s
Forward swiveling	4 s
Reverse swiveling	3 s

## ENGINE

Vehicle model	APOLLO 20.4 SMART
Brand	Kubota
Nominal power	37 kW (50 HP)
@rpm	2700 rpm
Operation	4-stroke
Injection	Electronic, Common Rail
Number and arrangement of cylinders	3, Vertical in line
Displacement	1826 cm <sup>3</sup> (111 in <sup>3</sup> )
Consumption	242 g/kWh (398,09 lb/Hp h)
@rpm	2700 rpm
Emission standard	Stage V
Exhaust gas treatment	Catalyst + Particulate filter (DOC+DPF)
Cooling system	Liquid
Intake	Turbo compressor

## DIFFERENTIAL AXLES

Vehicle model	APOLLO 20.4 SMART
Type of axles	2 steering, with 4 epicycloidal reduction gears
Type of steering	4 wheels / transversal / 2 wheels
Front axle	Rigid
Rear axle	Swinging
Service braking	Dry disk on rear axle
Parking braking	Manually activated on brake caliper through cable

## HYDRAULIC SYSTEM

Vehicle model	APOLLO 20.4 SMART
Hydraulic pump type	Gear pump for power steering and movements
Hydraulic pump capacity	93,6 L/min (24,7 gal/min)
Max. operating pressure	25,0 MPa (3626 psi)
Distributor control	Proportional 4in1 Joystick

## REFUELING

Vehicle model	APOLLO 20.4 SMART
Hydraulic system (total)	70,0 L (18,49 gal)
Fuel tank	60,0 L (15,85 gal)

## TRANSMISSION

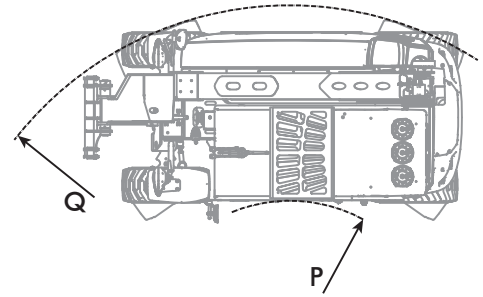
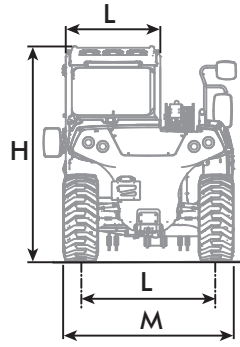
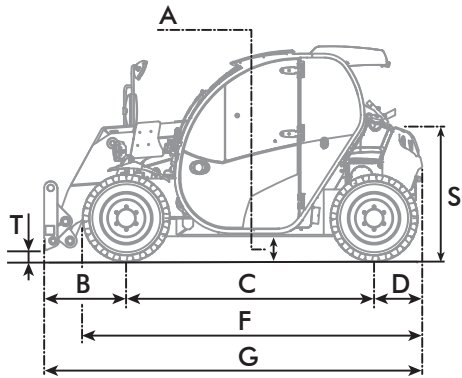
Vehicle model	APOLLO 20.4 SMART
Transmission type	Single speed Hydrostatic transmission with variable displacement pump
Hydraulic motor	Hydrostatic with continuous automatic adjustment
Reversal	Electro-Hydraulic
Inching	With hydraulic pedal for controlled forward movement

## TIRES

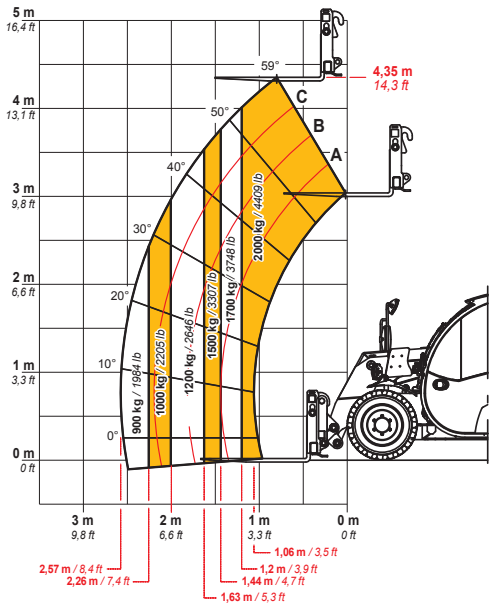
Vehicle model	APOLLO 20.4 SMART
Standard tires	12x16.5"

## DIMENSIONS

Vehicle model	APOLLO 20.4 SMART
A	199 mm (7,8 in)
B	827 mm (32,6 in)
C	2250 mm (88,6 in)
D	458 mm (18 in)
F	3405 mm (134,1 in)
G	3534 mm (139,1 in)
H	1929 mm (75,9 in)
I	860 mm (33,9 in)
L	1230 mm (48,4 in)
M	1550 mm (61 in)
P	1340 mm (52,8 in)
Q	3075 mm (121,1 in)
S	1469 mm (57,8 in)
T	200 mm (7,9 in)



**MAX**  
2000 kg / 4409 lb



DOC1000115



EN1459

20.4

