

# DIECI



## ZEUS GD

40.7 | 38.8 | 38.10 | 35.11 | 40.13



[dieci.com](http://dieci.com)

## PERFORMANCE

Vehicle model	ZEUS 40.7 - GD	ZEUS 38.8 - GD	ZEUS 38.10 - GD	ZEUS 35.11 - GD	ZEUS 40.13 - GD
Maximum capacity	4000 kg (8818 lb)	3800 kg (8378 lb)	3800 kg (8378 lb)	3500 kg (7716 lb)	4000 kg (8818 lb)
Maximum lifting height	7,2 m (23,6 ft)	7,6 m (24,9 ft)	9,6 m (31,5 ft)	10,6 m (34,8 ft)	12,5 m (41 ft)
Maximum horizontal extension	4,0 m (13,1 ft)	4,4 m (14,4 ft)	6,2 m (20,3 ft)	6,97 m (22,9 ft)	8,5 m (27,9 ft)
Fork swiveling angle	146°	146°	146°	146°	146°
Pull-out force	5700 daN (12814 lbf)	5700 daN (12814 lbf)	5700 daN (12814 lbf)	5700 daN (12814 lbf)	5700 daN (12814 lbf)
Towing force	9870 daN (22189 lbf)	9870 daN (22189 lbf)	9870 daN (22189 lbf)	9870 daN (22189 lbf)	9870 daN (22189 lbf)
Maximum climb angle	45%	45%	45%	45%	45%
Unladen weight	8000 kg (17637 lb)	8300 kg (18298 lb)	8550 kg (18850 lb)	8850 kg (19511 lb)	9850 kg (21716 lb)
Max speed (referred to wheels with maximum permitted diameter)	30 km/h (18,6 mph)	30 km/h (18,6 mph)	30 km/h (18,6 mph)	30 km/h (18,6 mph)	30 km/h (18,6 mph)

## BOOM

Vehicle model	ZEUS 40.7 - GD	ZEUS 38.8 - GD	ZEUS 38.10 - GD	ZEUS 35.11 - GD	ZEUS 40.13 - GD
Lifting	8,3 s	8,3 s	10,3 s	10,3 s	13,5 s
Descent	6,0 s	6,0 s	8,2 s	8,2 s	12,5 s
Extension	6,4 s	6,8 s	6,7 s	7,5 s	11,6 s
Retraction	5,0 s	5,1 s	4,0 s	4,5 s	8,8 s
Forward swiveling	4,6 s	4,6 s	4,6 s	4,6 s	4,6 s
Reverse swiveling	2,6 s	2,6 s	2,6 s	2,6 s	2,6 s

## ENGINE

Vehicle model	ZEUS 40.7 - GD	ZEUS 38.8 - GD	ZEUS 38.10 - GD	ZEUS 35.11 - GD	ZEUS 40.13 - GD
Brand	Kubota	Kubota	Kubota	Kubota	Kubota
Nominal power	54,6 kW (73 HP)	54,6 kW (73 HP)	54,6 kW (73 HP)	54,6 kW (73 HP)	54,6 kW (73 HP)
@rpm	2600 rpm	2600 rpm	2600 rpm	2600 rpm	2600 rpm
Operation	4-stroke	4-stroke	4-stroke	4-stroke	4-stroke
Injection	Electronic, Common rail	Electronic, Common rail	Electronic, Common rail	Electronic, Common rail	Electronic, Common rail
Number and arrangement of cylinders	4, Vertical in line	4, Vertical in line	4, Vertical in line	4, Vertical in line	4, Vertical in line
Displacement	3331 cm <sup>3</sup> (203 in <sup>3</sup> )	3331 cm <sup>3</sup> (203 in <sup>3</sup> )	3331 cm <sup>3</sup> (203 in <sup>3</sup> )	3331 cm <sup>3</sup> (203 in <sup>3</sup> )	3331 cm <sup>3</sup> (203 in <sup>3</sup> )
Consumption	231 g/kWh (380 lb/Hp h)	231 g/kWh (380 lb/Hp h)	231 g/kWh (380 lb/Hp h)	231 g/kWh (380 lb/Hp h)	231 g/kWh (380 lb/Hp h)
Emission standard	Stage V/Tier 4f	Stage V/Tier 4f	Stage V/Tier 4f	Stage V/Tier 4f	Stage V/Tier 4f
Exhaust gas treatment	DOC+DPF	DOC+DPF	DOC+DPF	DOC+DPF	DOC+DPF
Cooling system	Liquid	Liquid	Liquid	Liquid	Liquid
Intake	Turbocharger after-cooler	Turbocharger after-cooler	Turbocharger after-cooler	Turbocharger after-cooler	Turbocharger after-cooler

## DIFFERENTIAL AXLES

Vehicle model	ZEUS 40.7 - GD	ZEUS 38.8 - GD	ZEUS 38.10 - GD	ZEUS 35.11 - GD	ZEUS 40.13 - GD
Type of axles	2 steering, with 4 epicycloidal reduction gears	2 steering, with 4 epicycloidal reduction gears	2 steering, with 4 epicycloidal reduction gears	2 steering, with 4 epicycloidal reduction gears	2 steering, with 4 epicycloidal reduction gears
Type of steering	4 wheels / transversal / 2 wheels	4 wheels / transversal / 2 wheels	4 wheels / transversal / 2 wheels	4 wheels / transversal / 2 wheels	4 wheels / transversal / 2 wheels
Front axle	Rigid (OPT leveling.)	Rigid (OPT leveling.)	Rigid (OPT leveling.)	Rigid (OPT leveling.)	With transverse leveling device with control in the cab
Rear axle	Swinging	Swinging	Swinging	Swinging	Swinging
Service braking	Oil bath with servo brake on front axle with double hydraulic system	Oil bath with servo brake on front axle with double hydraulic system	Oil bath with servo brake on front axle with double hydraulic system	Oil bath with servo brake on front axle with double hydraulic system	Oil bath with servo brake on front axle with double hydraulic system
Parking braking	Negative actuation with electronic control	Negative actuation with electronic control	Negative actuation with electronic control	Negative actuation with electronic control	Negative actuation with electronic control

## HYDRAULIC SYSTEM

Vehicle model	ZEUS 40.7 - GD	ZEUS 38.8 - GD	ZEUS 38.10 - GD	ZEUS 35.11 - GD	ZEUS 40.13 - GD
Hydraulic pump type	No. 1 LS piston pump for power-steering and boom movements. No. 1 gear pump for and Fan Drive.	No. 1 LS piston pump for power-steering and boom movements. No. 1 gear pump for and Fan Drive.	No. 1 LS piston pump for power-steering and boom movements. No. 1 gear pump for and Fan Drive.	No. 1 LS piston pump for power-steering and boom movements. No. 1 gear pump for and Fan Drive.	No. 1 LS piston pump for power-steering and boom movements. No. 1 gear pump for and Fan Drive.
Hydraulic pump capacity	127 L/min (33,5 gal/min)	127 L/min (33,5 gal/min)	127 L/min (33,5 gal/min)	127 L/min (33,5 gal/min)	127 L/min (33,5 gal/min)
Max. operating pressure	26,0 MPa (3771 psi)	26,0 MPa (3771 psi)	26,0 MPa (3771 psi)	26,0 MPa (3771 psi)	26,0 MPa (3771 psi)
Distributor control	4 in 1 proportional Joystick with FNR	4 in 1 proportional Joystick with FNR	4 in 1 proportional Joystick with FNR	4 in 1 proportional Joystick with FNR	4 in 1 proportional Joystick with FNR
Outriggers	No	No	No	2 with proportional control and independent from the cab	2 with proportional control and independent from the cab

## REFUELING

Vehicle model	ZEUS 40.7 - GD	ZEUS 38.8 - GD	ZEUS 38.10 - GD	ZEUS 35.11 - GD	ZEUS 40.13 - GD
Hydraulic system (total)	140,0 L (36,98 gal)	140,0 L (36,98 gal)	140,0 L (36,98 gal)	140,0 L (36,98 gal)	140,0 L (36,98 gal)
Fuel tank	175 L (46,23 gal)	175 L (46,23 gal)	175 L (46,23 gal)	175 L (46,23 gal)	175 L (46,23 gal)

## TRANSMISSION

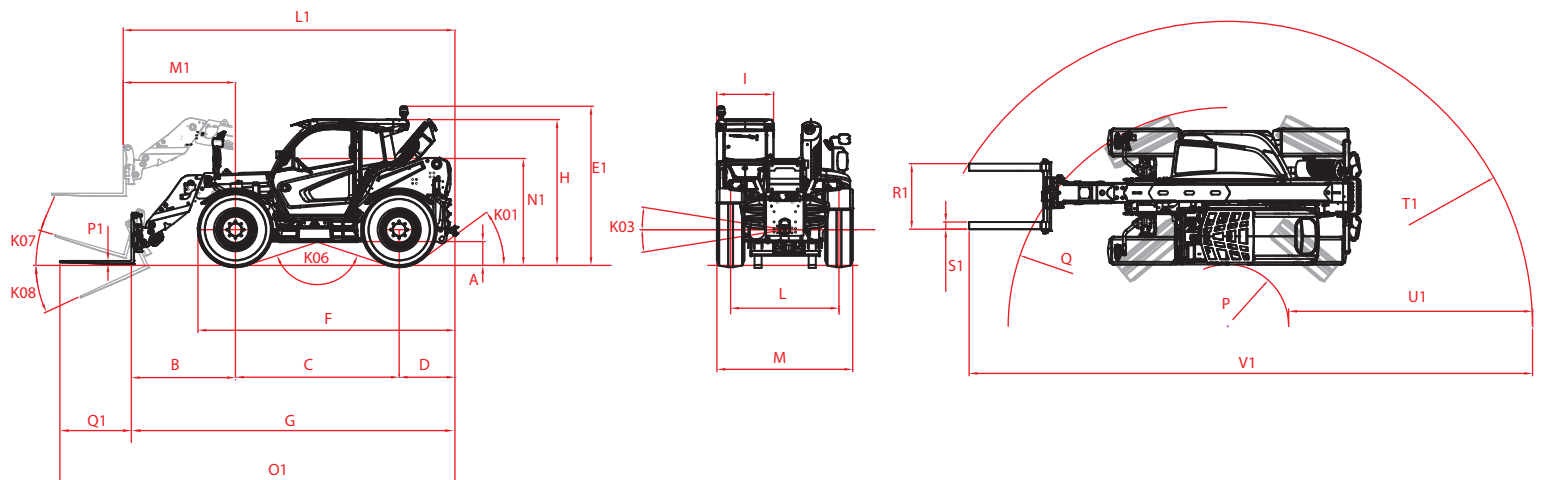
Vehicle model	ZEUS 40.7 - GD	ZEUS 38.8 - GD	ZEUS 38.10 - GD	ZEUS 35.11 - GD	ZEUS 40.13 - GD
Transmission type	Hydrostatic with variable displacement pump and ECO function	Hydrostatic with variable displacement pump and ECO function	Hydrostatic with variable displacement pump and ECO function	Hydrostatic with variable displacement pump and ECO function	Hydrostatic with variable displacement pump and ECO function
Hydraulic motor	Hydrostatic with continuous automatic adjustment	Hydrostatic with continuous automatic adjustment	Hydrostatic with continuous automatic adjustment	Hydrostatic with continuous automatic adjustment	Hydrostatic with continuous automatic adjustment
Reversal	With electronic control operated with vehicle in motion	With electronic control operated with vehicle in motion	With electronic control operated with vehicle in motion	With electronic control operated with vehicle in motion	With electronic control operated with vehicle in motion
Inching	With electronic pedal for controlled forward movement	With electronic pedal for controlled forward movement	With electronic pedal for controlled forward movement	With electronic pedal for controlled forward movement	With electronic pedal for controlled forward movement

## TIRES

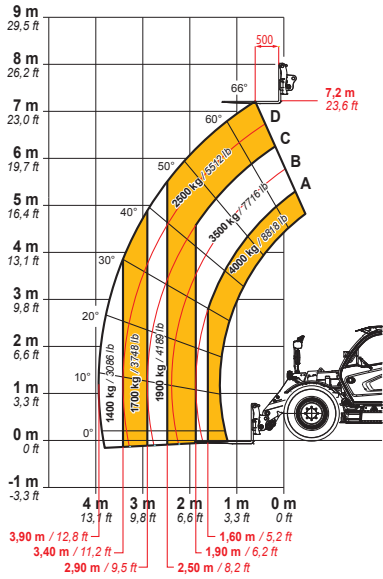
Vehicle model	ZEUS 40.7 - GD	ZEUS 38.8 - GD	ZEUS 38.10 - GD	ZEUS 35.11 - GD	ZEUS 40.13 - GD
Standard tires	400/70-24" (16/70-24)"	400/70-24" (16/70-24)"	400/70-24" (16/70-24)"	400/70-24" (16/70-24)"	400/70-24" (16/70-24)"
Optional tires	18-22.5"445/65 (18 R22.5)	18-22.5"445/65 (18 R22.5)	18-22.5"445/65 (18 R22.5)	18-22.5"445/65 (18 R22.5)	18-22.5"445/65 (18 R22.5)

## DIMENSIONS

Vehicle model	ZEUS 40.7 - GD	ZEUS 38.8 - GD	ZEUS 38.10 - GD	ZEUS 35.11 - GD	ZEUS 40.13 - GD
A	360 mm (14,2 in)	360 mm (14,2 in)	360 mm (14,2 in)	360 mm (14,2 in)	360 mm (14,2 in)
B	1283 mm (50,5 in)	1748 mm (68,8 in)	1307 mm (51,5 in)	1600 mm (63 in)	1950 mm (76,8 in)
C	2750 mm (108,3 in)	2750 mm (108,3 in)	2750 mm (108,3 in)	2750 mm (108,3 in)	2750 mm (108,3 in)
D	937 mm (36,9 in)	937 mm (36,9 in)	937 mm (36,9 in)	920 mm (36,2 in)	1270 mm (50 in)
E1	2860 mm (112,6 in)	2860 mm (112,6 in)	2860 mm (112,6 in)	2860 mm (112,6 in)	2860 mm (112,6 in)
F	4276 mm (168,3 in)	4276 mm (168,3 in)	4276 mm (168,3 in)	4250 mm (167,3 in)	4600 mm (181,1 in)
G	4971 mm (195,7 in)	5435 mm (214 in)	4995 mm (196,7 in)	5270 mm (207,5 in)	5970 mm (235 in)
H	2410 mm (94,9 in)	2410 mm (94,9 in)	2410 mm (94,9 in)	2410 mm (94,9 in)	2410 mm (94,9 in)
I	960 mm (37,8 in)	960 mm (37,8 in)	960 mm (37,8 in)	960 mm (37,8 in)	960 mm (37,8 in)
K01	31°	31°	31°	32°	23°
K03	9°	9°	9°	10°	10°
K06	150°	150°	150°	150°	150°
K07	16°	16°	16°	16°	18°
K08	131°	131°	131°	131°	140°
L	1870 mm (73,6 in)	1870 mm (73,6 in)	1870 mm (73,6 in)	1870 mm (73,6 in)	1870 mm (73,6 in)
L1	5140 mm (202,4 in)	5572 mm (219,4 in)	5159 mm (203,1 in)	5420 mm (213,4 in)	6100 mm (240,2 in)
M	2290 mm (90,2 in)	2290 mm (90,2 in)	2290 mm (90,2 in)	2290 mm (90,2 in)	2290 mm (90,2 in)
M1	1453 mm (57,2 in)	1885 mm (74,2 in)	1472 mm (58 in)	1750 mm (68,9 in)	2080 mm (81,9 in)
N1	1755 mm (69,1 in)	1755 mm (69,1 in)	1755 mm (69,1 in)	1755 mm (69,1 in)	1755 mm (69,1 in)
O1	6171 mm (243 in)	6635 mm (261,2 in)	6195 mm (243,9 in)	6470 mm (254,7 in)	7170 mm (282,3 in)
P	1030 mm (40,6 in)	1030 mm (40,6 in)	1030 mm (40,6 in)	1030 mm (40,6 in)	1030 mm (40,6 in)
Q	3665 mm (144,3 in)	3665 mm (144,3 in)	3665 mm (144,3 in)	3665 mm (144,3 in)	3665 mm (144,3 in)
R1	1100 mm (43,3 in)	1100 mm (43,3 in)	1100 mm (43,3 in)	1100 mm (43,3 in)	1100 mm (43,3 in)
S1	120 mm (4,7 in)	120 mm (4,7 in)	120 mm (4,7 in)	120 mm (4,7 in)	120 mm (4,7 in)
T1	4691 mm (184,7 in)	5127 mm (201,9 in)	4759 mm (187,4 in)	4940 mm (194,5 in)	5245 mm (206,5 in)
U1	3706 mm (145,9 in)	4097 mm (161,3 in)	3729 mm (146,8 in)	3940 mm (155,1 in)	4245 mm (167,1 in)
V1	8599 mm (338,5 in)	9463 mm (372,6 in)	8655 mm (340,7 in)	9120 mm (359,1 in)	9770 mm (384,6 in)
P1	45 mm (1,8 in)	45 mm (1,8 in)	45 mm (1,8 in)	45 mm (1,8 in)	45 mm (1,8 in)
Q1	1200 mm (47,2 in)	1200 mm (47,2 in)	1200 mm (47,2 in)	1200 mm (47,2 in)	1200 mm (47,2 in)



**MAX**  
4000 kg / 8818 lb



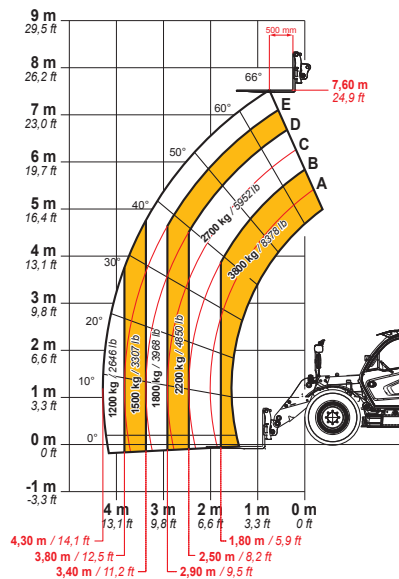
DOC10000835



EN1459

**40.7**

**MAX**  
3800 kg / 8378 lb



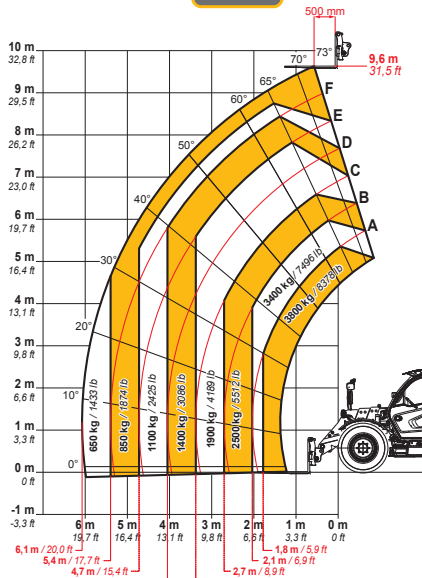
DOC10000836



EN1459

**38.8**

**MAX**  
3800 kg / 8378 lb



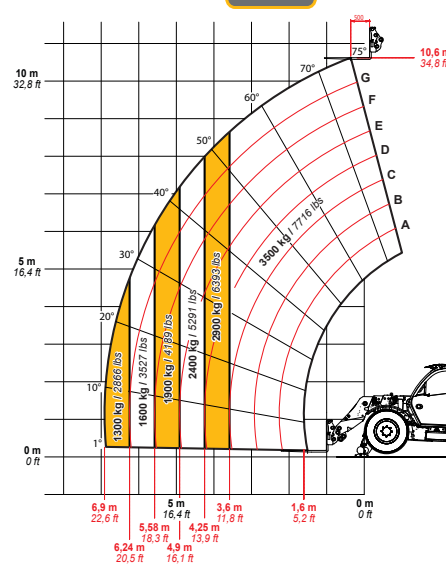
DOC10000837



EN1459

**38.10**

**MAX**  
3500 kg / 7716 lb



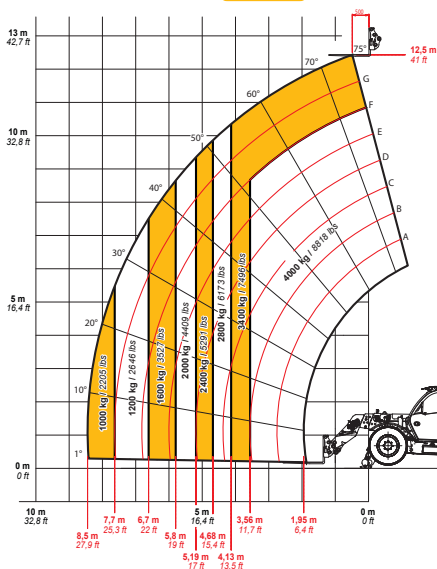
DOC10001195



EN1459

**35.11**

**MAX**  
4000 kg / 8818 lb



DOC10001197



EN1459

**40.13**