

DIECI

2018 Equipment catalog



Table of Contents

| | | |
|----------|---|-----------|
| 1 | Symbols key..... | 5 |
| 2 | Tools..... | 6 |
| 2.1 | Bucket..... | 6 |
| 2.1.1 | Bucket for light materials..... | 6 |
| 2.1.2 | Excavating bucket with teeth..... | 10 |
| 2.1.3 | Excavating bucket without teeth..... | 12 |
| 2.2 | Special items..... | 16 |
| 2.2.1 | Material basket..... | 16 |
| 2.3 | Counterplates..... | 18 |
| 2.3.1 | Counterplate..... | 18 |
| 2.3.2 | Counterplate with FEM forks..... | 20 |
| 2.3.3 | Counterplate with floating forks..... | 22 |
| 2.4 | Forks..... | 24 |
| 2.4.1 | Floating forks..... | 24 |
| 2.4.2 | Fork with two prongs..... | 28 |
| 2.4.3 | Fork with three prongs..... | 30 |
| 3 | Equipment..... | 32 |
| 3.1 | Fork positioner..... | 32 |
| 3.1.1 | Fork spreader..... | 32 |
| 3.1.2 | Forks spreader shifter..... | 34 |
| 3.1.3 | Forks shifting unit..... | 36 |
| 3.2 | Bucket..... | 38 |
| 3.2.1 | 4 in 1 bucket..... | 38 |
| 3.2.2 | Bucket for silage with grab..... | 42 |
| 3.2.3 | Bucket for manure and generic material with grab..... | 44 |
| 3.2.4 | Bucket for fodder with grab..... | 48 |
| 3.2.5 | Mixing bucket..... | 50 |
| 3.2.6 | Ladle..... | 52 |
| 3.3 | Forks..... | 54 |
| 3.3.1 | Fork for logs..... | 54 |
| 3.3.2 | Multipurpose fork with holder..... | 56 |
| 3.4 | Blades..... | 58 |
| 3.4.1 | Angledozer blade..... | 58 |
| 3.4.2 | Snow plough..... | 60 |
| 3.4.3 | Tiltadozer blade..... | 62 |
| 3.5 | Grippers..... | 64 |
| 3.5.1 | Clamp for big wrapped bales..... | 64 |
| 3.5.2 | Gripper for cylinders..... | 66 |
| 3.5.3 | Grab clamp for two roll bales..... | 68 |
| 3.5.4 | Gripper for tires..... | 70 |
| 3.5.5 | Orange-peel grabber..... | 72 |
| 3.5.6 | Centring handler..... | 74 |
| 3.5.7 | Gripper for pipe..... | 76 |
| 3.6 | Special items..... | 78 |
| 3.6.1 | Angled sweeper..... | 78 |
| 3.6.2 | Sweeper box with collection..... | 80 |
| 3.6.3 | Front shredder..... | 82 |
| 3.6.4 | Two-stage turbine snow blower..... | 84 |
| 4 | Lifting equipment..... | 86 |
| 4.1 | Winches..... | 86 |

Table of Contents

| | | |
|----------|--|------------|
| 4.1.1 | Winch for forks holding plate | 86 |
| 4.1.2 | Crane extension with winch..... | 88 |
| 4.2 | Hooks | 90 |
| 4.2.1 | Hook for forks holding plate..... | 90 |
| 4.2.2 | Crane extension with hook..... | 92 |
| 4.2.3 | Jib with hook..... | 94 |
| 5 | Baskets..... | 96 |
| 5.1 | Front baskets..... | 96 |
| 5.1.1 | Front Basket | 96 |
| 5.1.2 | Extensible Front basket..... | 98 |
| 5.2 | Trilateral baskets..... | 100 |
| 5.2.1 | Trilateral Basket | 100 |
| 5.2.2 | Extensible Trilateral basket | 102 |
| 5.2.3 | Trilateral basket for tunnels..... | 106 |
| 5.2.4 | Volvo type basket..... | 108 |
| 5.3 | Positive / Negative jib | 110 |
| 5.3.1 | Positive / Negative jib | 110 |
| 5.4 | Baskets with lifting equipment..... | 112 |
| 5.4.1 | Extensible Trilateral basket with winch..... | 112 |
| 5.5 | Baskets for landing at high altitude | 114 |
| 5.5.1 | Extensible Trilateral basket with front opening..... | 114 |
| 6 | Accessories | 116 |
| 6.1 | Bucket..... | 116 |
| 6.1.1 | Level indicator..... | 116 |
| 6.1.2 | Blade protector and/or teeth cover..... | 118 |
| 6.1.3 | Full rear guard..... | 120 |
| 6.1.4 | Split rear guard..... | 122 |
| | Detailed table of contents | 124 |

Symbols key



Width



Height



Length



Equipment weight



Equipment capacity



Maximum walking surface width



Walking surface width



Walking surface length



Number of persons transported



Extension type



Forks cross section, width



Forks cross section, height



Forks length from tip to heel



Center of gravity of the load



Rope pull type



SAE heap capacity



Capacity (level)



Load maximum density



Number of teeth



Load yield

Tools

Bucket

Bucket for light materials

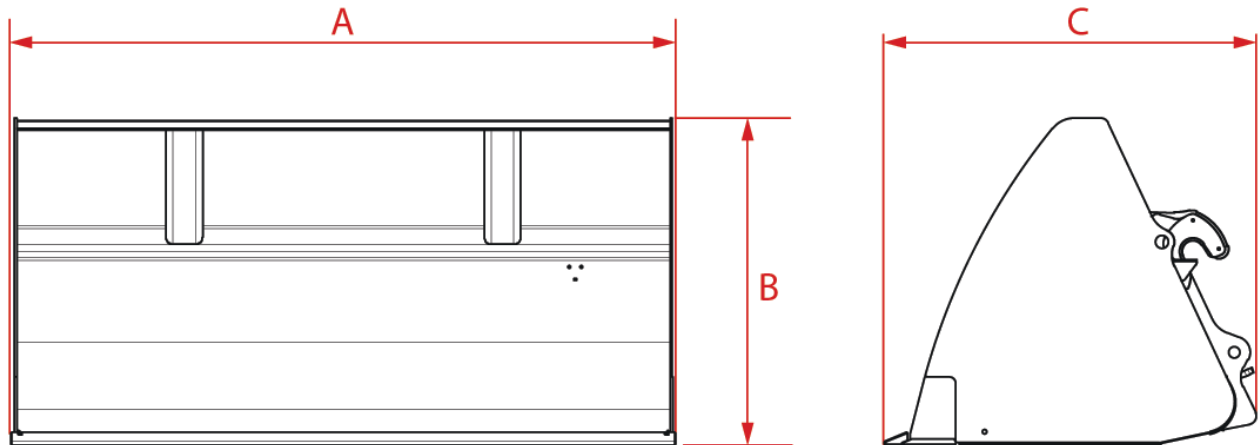
Indispensable tool for loading and handling material with a low specific weight, such as cereals, compost and shavings of various kinds.






Optionals:



Technical Data



| | Code | A | B | C |  |  |  |
|-----------|---------|-------------------|-------------------|-------------------|--|--|--|
| BUB2656 | TBN0198 | 2450 mm (96,5 in) | 1200 mm (47,2 in) | 1308 mm (51,5 in) | 2,5 m ³ (88 ft ³) | 800 kg/m ³ (50 lb/ft ³) | 680 kg (1499 lb) |
| BUB2656-S | TBN0202 | 2450 mm (96,5 in) | 1200 mm (47,2 in) | 1308 mm (51,5 in) | 2,5 m ³ (88 ft ³) | 800 kg/m ³ (50 lb/ft ³) | 748,5 kg (1650 lb) |
| BUB2657 | TBN0207 | 2450 mm (96,5 in) | 1300 mm (51,2 in) | 1680 mm (66,1 in) | 3,5 m ³ (124 ft ³) | 500 kg/m ³ (31 lb/ft ³) | 796 kg (1755 lb) |
| BUB2657-S | TBN0212 | 2450 mm (96,5 in) | 1300 mm (51,2 in) | 1680 mm (66,1 in) | 3,5 m ³ (124 ft ³) | 500 kg/m ³ (31 lb/ft ³) | 864,5 kg (1906 lb) |
| BUB2664 | TBN0124 | 1980 mm (78 in) | 925 mm (36,4 in) | 1120 mm (44,1 in) | 1,25 m ³ (44 ft ³) | 800 kg/m ³ (50 lb/ft ³) | 332 kg (732 lb) |
| BUB2664-S | TBN0114 | 1980 mm (78 in) | 925 mm (36,4 in) | 1120 mm (44,1 in) | 1,25 m ³ (44 ft ³) | 800 kg/m ³ (50 lb/ft ³) | 365,5 kg (806 lb) |
| BUB2665 | TBN0127 | 1980 mm (78 in) | 1000 mm (39,4 in) | 1245 mm (49 in) | 1,5 m ³ (53 ft ³) | 500 kg/m ³ (31 lb/ft ³) | 367 kg (809 lb) |
| BUB2665-S | TBN0128 | 1980 mm (78 in) | 1000 mm (39,4 in) | 1245 mm (49 in) | 1,5 m ³ (53 ft ³) | 500 kg/m ³ (31 lb/ft ³) | 401 kg (884 lb) |
| BUB2678 | TBN0195 | 2400 mm (94,5 in) | 950 mm (37,4 in) | 1087 mm (42,8 in) | 1,5 m ³ (53 ft ³) | 800 kg/m ³ (50 lb/ft ³) | 535 kg (1179 lb) |
| BUB2678-S | TBN0199 | 2400 mm (94,5 in) | 950 mm (37,4 in) | 1087 mm (42,8 in) | 1,5 m ³ (53 ft ³) | 800 kg/m ³ (50 lb/ft ³) | 602 kg (1327 lb) |
| BUB2679 | TBN0203 | 2400 mm (94,5 in) | 1150 mm (45,3 in) | 1387 mm (54,6 in) | 2,5 m ³ (88 ft ³) | 500 kg/m ³ (31 lb/ft ³) | 673 kg (1484 lb) |
| BUB2679-S | TBN0208 | 2400 mm (94,5 in) | 1150 mm (45,3 in) | 1387 mm (54,6 in) | 2,5 m ³ (88 ft ³) | 500 kg/m ³ (31 lb/ft ³) | 740 kg (1631 lb) |

| | | | | | | | |
|-----------|---------|----------------------|----------------------|----------------------|---|---|-----------------------|
| BUB2684 | TBN0204 | 2400 mm (94,5 in) | 1150 mm (45,3 in) | 1365 mm (53,7 in) | 2,5 m ³ (88 ft ³) | 500 kg/m ³ (31 lb/ft ³) | 674 kg (1486 lb) |
| BUB2684-S | TBN0209 | 2400 mm (94,5 in) | 1150 mm (45,3 in) | 1365 mm (53,7 in) | 2,5 m ³ (88 ft ³) | 500 kg/m ³ (31 lb/ft ³) | 741 kg (1634 lb) |
| BUB2692 | TBN0196 | 2400 mm (94,5 in) | 950 mm (37,4 in) | 1065 mm (41,9 in) | 1,5 m ³ (53 ft ³) | 800 kg/m ³ (50 lb/ft ³) | 536,5 kg (1183 lb) |
| BUB2692-S | TBN0200 | 2400 mm (94,5 in) | 950 mm (37,4 in) | 1065 mm (41,9 in) | 1,5 m ³ (53 ft ³) | 800 kg/m ³ (50 lb/ft ³) | 603 kg (1329 lb) |
| BUB2701 | TBN0165 | 2100 mm (82,7 in) | 925 mm (36,4 in) | 1084 mm (42,7 in) | 1,35 m ³ (48 ft ³) | 800 kg/m ³ (50 lb/ft ³) | 354,5 kg (782 lb) |
| BUB2701-S | TBN0167 | 2100 mm (82,7 in) | 925 mm (36,4 in) | 1084 mm (42,7 in) | 1,35 m ³ (48 ft ³) | 800 kg/m ³ (50 lb/ft ³) | 390 kg (860 lb) |
| BUB2706 | TBN0169 | 2100 mm (82,7 in) | 1000 mm (39,4 in) | 1209 mm (47,6 in) | 1,65 m ³ (58 ft ³) | 500 kg/m ³ (31 lb/ft ³) | 390 kg (860 lb) |
| BUB2706-S | TBN0171 | 2100 mm (82,7 in) | 1000 mm (39,4 in) | 1209 mm (47,6 in) | 1,65 m ³ (58 ft ³) | 500 kg/m ³ (31 lb/ft ³) | 425,5 kg (938 lb) |
| BUB2713 | TBN0166 | 1980 mm (78 in) | 925 mm (36,4 in) | 1170 mm (46,1 in) | 1,25 m ³ (44 ft ³) | 800 kg/m ³ (50 lb/ft ³) | 342 kg (754 lb) |
| BUB2713-S | TBN0168 | 1980 mm (78 in) | 925 mm (36,4 in) | 1170 mm (46,1 in) | 1,25 m ³ (44 ft ³) | 800 kg/m ³ (50 lb/ft ³) | 375,5 kg (828 lb) |
| BUB2714 | TBN0170 | 1980 mm (78 in) | 1000 mm (39,4 in) | 1295 mm (51 in) | 1,5 m ³ (53 ft ³) | 500 kg/m ³ (31 lb/ft ³) | 377 kg (831 lb) |
| BUB2714-S | TBN0172 | 1980 mm (78 in) | 1000 mm (39,4 in) | 1295 mm (51 in) | 1,5 m ³ (53 ft ³) | 500 kg/m ³ (31 lb/ft ³) | 410,5 kg (905 lb) |
| BUB2719 | TBN0106 | 2400 mm (94,5 in) | 950 mm (37,4 in) | 1087 mm (42,8 in) | 1,5 m ³ (53 ft ³) | 800 kg/m ³ (50 lb/ft ³) | 535 kg (1179 lb) |
| BUB2719-S | TBN0107 | 2400 mm (94,5 in) | 950 mm (37,4 in) | 1087 mm (42,8 in) | 1,5 m ³ (53 ft ³) | 800 kg/m ³ (50 lb/ft ³) | 602 kg (1327 lb) |
| BUB2720 | TBN0108 | 2400 mm (94,5 in) | 1150 mm (45,3 in) | 1387 mm (54,6 in) | 2,5 m ³ (88 ft ³) | 500 kg/m ³ (31 lb/ft ³) | 673 kg (1484 lb) |
| BUB2720-S | TBN0109 | 2400 mm (94,5 in) | 1150 mm (45,3 in) | 1387 mm (54,6 in) | 2,5 m ³ (88 ft ³) | 500 kg/m ³ (31 lb/ft ³) | 740 kg (1631 lb) |
| BUB2751 | TBN0197 | 2450 mm (96,5 in) | 1050 mm (41,3 in) | 1237 mm (48,7 in) | 2,0 m ³ (71 ft ³) | 800 kg/m ³ (50 lb/ft ³) | 600 kg (1323 lb) |
| BUB2751-S | TBN0201 | 2450 mm (96,5 in) | 1050 mm (41,3 in) | 1237 mm (48,7 in) | 2,0 m ³ (71 ft ³) | 800 kg/m ³ (50 lb/ft ³) | 680 kg (1499 lb) |
| BUB2753 | TBN0205 | 2450 mm (96,5 in) | 1225 mm (48,2 in) | 1498 mm (59 in) | 3,0 m ³ (106 ft ³) | 500 kg/m ³ (31 lb/ft ³) | 732 kg (1614 lb) |
| BUB2753-S | TBN0210 | 2450 mm (96,5 in) | 1225 mm (48,2 in) | 1498 mm (59 in) | 3,0 m ³ (106 ft ³) | 500 kg/m ³ (31 lb/ft ³) | 815 kg (1797 lb) |
| BUB2754 | TBN0206 | 2450 mm (96,5 in) | 1225 mm (48,2 in) | 1498 mm (59 in) | 3,0 m ³ (106 ft ³) | 500 kg/m ³ (31 lb/ft ³) | 732 kg (1614 lb) |
| BUB2754-S | TBN0211 | 2450 mm (96,5 in) | 1225 mm (48,2 in) | 1498 mm (59 in) | 3,0 m ³ (106 ft ³) | 500 kg/m ³ (31 lb/ft ³) | 815 kg (1797 lb) |

Excavating bucket with teeth

The excavating bucket with teeth has been designed for excavating and loading high density soils, such as earth, sand gravel and compact clay.

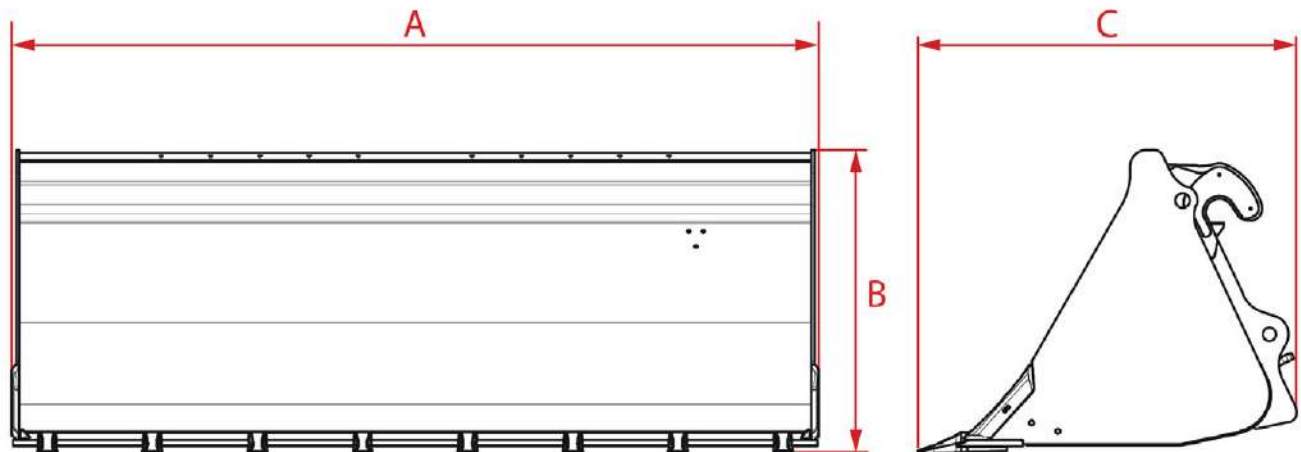
The teeth are interchangeable and provide excellent penetration, essential for working with high density material.



Optionals:



Technical Data



| | Code | A | B | C | | | | |
|---------|---------|----------------------|---------------------|----------------------|---|---|---|-----------------------|
| BUB2655 | TBN0194 | 2450 mm (96,5 in) | 900 mm (35,4 in) | 1033 mm (40,7 in) | 1,25 m ³ (44 ft ³) | 1800 kg/m ³ (112 lb/ft ³) | 8 | 580 kg (1279 lb) |
| BUB2662 | TBN0117 | 1980 mm (78 in) | 850 mm (33,5 in) | 945 mm (37,2 in) | 0,85 m ³ (30 ft ³) | 1800 kg/m ³ (112 lb/ft ³) | 6 | 297 kg (655 lb) |
| BUB2676 | TBN0191 | 2400 mm (94,5 in) | 893 mm (35,2 in) | 987 mm (38,9 in) | 1,0 m ³ (35 ft ³) | 1800 kg/m ³ (112 lb/ft ³) | 8 | 512,5 kg (1130 lb) |
| BUB2680 | TBN0102 | 2300 mm (90,6 in) | 893 mm (35,2 in) | 965 mm (38 in) | 1,2 m ³ (42 ft ³) | 1800 kg/m ³ (112 lb/ft ³) | 7 | 488,2 kg (1076 lb) |
| BUB2691 | TBN0192 | 2100 mm (82,7 in) | 893 mm (35,2 in) | 965 mm (38 in) | 1,1 m ³ (39 ft ³) | 1800 kg/m ³ (112 lb/ft ³) | 7 | 467,5 kg (1031 lb) |
| BUB2696 | TBN0193 | 2400 mm (94,5 in) | 893 mm (35,2 in) | 965 mm (38 in) | 1,25 m ³ (44 ft ³) | 1800 kg/m ³ (112 lb/ft ³) | 8 | 506,7 kg (1117 lb) |
| BUB2698 | TBN0121 | 1900 mm (74,8 in) | 850 mm (33,5 in) | 945 mm (37,2 in) | 0,8 m ³ (28 ft ³) | 1800 kg/m ³ (112 lb/ft ³) | 6 | 289 kg (637 lb) |
| BUB2700 | TBN0162 | 2100 mm (82,7 in) | 850 mm (33,5 in) | 909 mm (35,8 in) | 0,9 m ³ (32 ft ³) | 1800 kg/m ³ (112 lb/ft ³) | 6 | 318 kg (701 lb) |
| BUB2712 | TBN0161 | 1900 mm (74,8 in) | 850 mm (33,5 in) | 995 mm (39,2 in) | 0,8 m ³ (28 ft ³) | 1800 kg/m ³ (112 lb/ft ³) | 6 | 298,8 kg (659 lb) |
| BUB2716 | TBN0163 | 2100 mm (82,7 in) | 850 mm (33,5 in) | 995 mm (39,2 in) | 0,9 m ³ (32 ft ³) | 1800 kg/m ³ (112 lb/ft ³) | 6 | 318 kg (701 lb) |
| BUB2718 | TBN0105 | 2400 mm (94,5 in) | 893 mm (35,2 in) | 987 mm (38,9 in) | 1,0 m ³ (35 ft ³) | 1800 kg/m ³ (112 lb/ft ³) | 8 | 512,5 kg (1130 lb) |
| BUB2745 | TBN0148 | 1980 mm (78 in) | 850 mm (33,5 in) | 945 mm (37,2 in) | 0,85 m ³ (30 ft ³) | 1800 kg/m ³ (112 lb/ft ³) | 6 | 297 kg (655 lb) |
| BUB2750 | TBN0164 | 1500 mm (59,1 in) | 850 mm (33,5 in) | 945 mm (37,2 in) | 0,6 m ³ (21 ft ³) | 1800 kg/m ³ (112 lb/ft ³) | 6 | 247,5 kg (546 lb) |

Excavating bucket without teeth



The excavating bucket has been designed for excavating and loading high density soils, such as earth, sand gravel and compact clay.

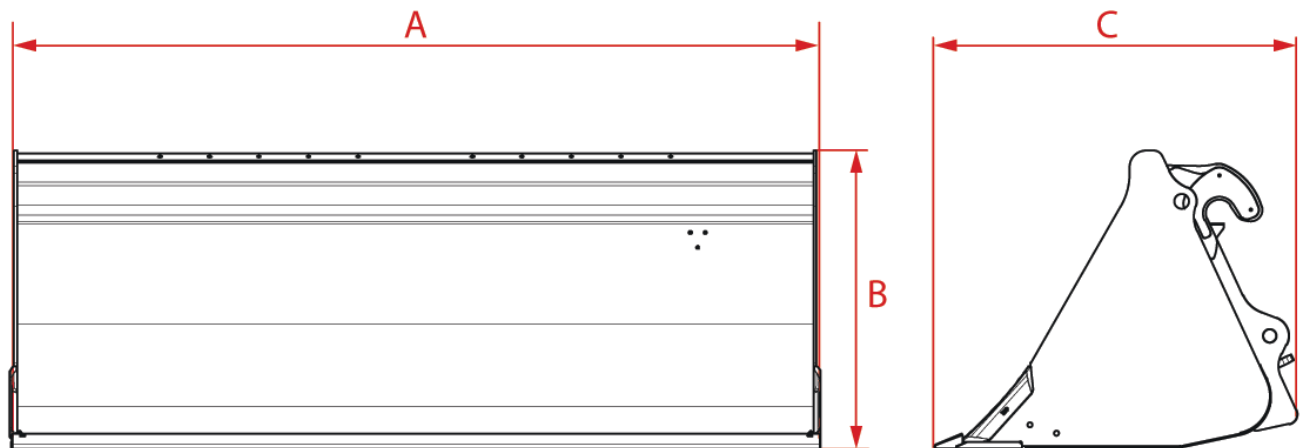
The bucket shape provides excellent penetration, with consequent maximization of the load to move it in a stable way.






Optionals:



Technical Data



| | Code | A | B | C |  |  |  |
|-----------|---------|----------------------|---------------------|----------------------|--|--|--|
| BUB2654 | TBN0185 | 2450 mm (96,5 in) | 900 mm (35,4 in) | 1033 mm (40,7 in) | 1,25 m ³ (44 ft ³) | 1800 kg/m ³ (112 lb/ft ³) | 559 kg (1232 lb) |
| BUB2654-S | TBN0190 | 2450 mm (96,5 in) | 900 mm (35,4 in) | 1033 mm (40,7 in) | 1,25 m ³ (44 ft ³) | 1800 kg/m ³ (112 lb/ft ³) | 627,5 kg (1383 lb) |
| BUB2661 | TBN0115 | 1980 mm (78 in) | 850 mm (33,5 in) | 945 mm (37,2 in) | 0,85 m ³ (30 ft ³) | 1800 kg/m ³ (112 lb/ft ³) | 286,5 kg (632 lb) |
| BUB2661-S | TBN0116 | 1980 mm (78 in) | 850 mm (33,5 in) | 945 mm (37,2 in) | 0,85 m ³ (30 ft ³) | 1800 kg/m ³ (112 lb/ft ³) | 320 kg (705 lb) |
| BUB2677 | TBN0181 | 2400 mm (94,5 in) | 893 mm (35,2 in) | 987 mm (38,9 in) | 1,0 m ³ (35 ft ³) | 1800 kg/m ³ (112 lb/ft ³) | 490 kg (1080 lb) |
| BUB2677-S | TBN0186 | 2400 mm (94,5 in) | 893 mm (35,2 in) | 987 mm (38,9 in) | 1,0 m ³ (35 ft ³) | 1800 kg/m ³ (112 lb/ft ³) | 557 kg (1228 lb) |
| BUB2690 | TBN0182 | 2100 mm (82,7 in) | 893 mm (35,2 in) | 965 mm (38 in) | 1,1 m ³ (39 ft ³) | 1800 kg/m ³ (112 lb/ft ³) | 445 kg (981 lb) |
| BUB2690-S | TBN0187 | 2100 mm (82,7 in) | 893 mm (35,2 in) | 965 mm (38 in) | 1,1 m ³ (39 ft ³) | 1800 kg/m ³ (112 lb/ft ³) | 505 kg (1113 lb) |
| BUB2694 | TBN0183 | 2300 mm (90,6 in) | 893 mm (35,2 in) | 965 mm (38 in) | 1,2 m ³ (42 ft ³) | 1800 kg/m ³ (112 lb/ft ³) | 470 kg (1036 lb) |
| BUB2694-S | TBN0188 | 2300 mm (90,6 in) | 893 mm (35,2 in) | 965 mm (38 in) | 1,2 m ³ (42 ft ³) | 1800 kg/m ³ (112 lb/ft ³) | 534 kg (1177 lb) |
| BUB2695 | TBN0184 | 2400 mm (94,5 in) | 893 mm (35,2 in) | 965 mm (38 in) | 1,25 m ³ (44 ft ³) | 1800 kg/m ³ (112 lb/ft ³) | 488,5 kg (1077 lb) |
| BUB2695-S | TBN0189 | 2400 mm (94,5 in) | 893 mm (35,2 in) | 965 mm (38 in) | 1,25 m ³ (44 ft ³) | 1800 kg/m ³ (112 lb/ft ³) | 555,5 kg (1225 lb) |

| | | | | | | | |
|-----------|---------|----------------------|---------------------|---------------------|--|---|-------------------|
| BUB2697 | TBN0122 | 1900 mm (74,8 in) | 850 mm (33,5 in) | 945 mm (37,2 in) | 0,8 m ³ (28 ft ³) | 1800 kg/m ³ (112 lb/ft ³) | 278,5 kg (614 lb) |
| BUB2697-S | TBN0123 | 1900 mm (74,8 in) | 850 mm (33,5 in) | 945 mm (37,2 in) | 0,8 m ³ (28 ft ³) | 1800 kg/m ³ (112 lb/ft ³) | 310 kg (683 lb) |
| BUB2699 | TBN0150 | 2100 mm (82,7 in) | 850 mm (33,5 in) | 909 mm (35,8 in) | 0,9 m ³ (32 ft ³) | 1800 kg/m ³ (112 lb/ft ³) | 307 kg (677 lb) |
| BUB2699-S | TBN0151 | 2100 mm (82,7 in) | 850 mm (33,5 in) | 909 mm (35,8 in) | 0,9 m ³ (32 ft ³) | 1800 kg/m ³ (112 lb/ft ³) | 342,5 kg (755 lb) |
| BUB2711 | TBN0152 | 1900 mm (74,8 in) | 850 mm (33,5 in) | 995 mm (39,2 in) | 0,8 m ³ (28 ft ³) | 1800 kg/m ³ (112 lb/ft ³) | 288 kg (635 lb) |
| BUB2711-S | TBN0153 | 1900 mm (74,8 in) | 850 mm (33,5 in) | 995 mm (39,2 in) | 0,8 m ³ (28 ft ³) | 1800 kg/m ³ (112 lb/ft ³) | 320 kg (705 lb) |
| BUB2715 | TBN0156 | 2100 mm (82,7 in) | 850 mm (33,5 in) | 995 mm (39,2 in) | 0,9 m ³ (32 ft ³) | 1800 kg/m ³ (112 lb/ft ³) | 307 kg (677 lb) |
| BUB2715-S | TBN0157 | 2100 mm (82,7 in) | 850 mm (33,5 in) | 995 mm (39,2 in) | 0,9 m ³ (32 ft ³) | 1800 kg/m ³ (112 lb/ft ³) | 342,5 kg (755 lb) |
| BUB2749 | TBN0158 | 1500 mm (59,1 in) | 850 mm (33,5 in) | 945 mm (37,2 in) | 0,6 m ³ (21 ft ³) | 1800 kg/m ³ (112 lb/ft ³) | 238,5 kg (526 lb) |
| BUB2749-S | TBN0159 | 1500 mm (59,1 in) | 850 mm (33,5 in) | 945 mm (37,2 in) | 0,6 m ³ (21 ft ³) | 1800 kg/m ³ (112 lb/ft ³) | 263,5 kg (581 lb) |

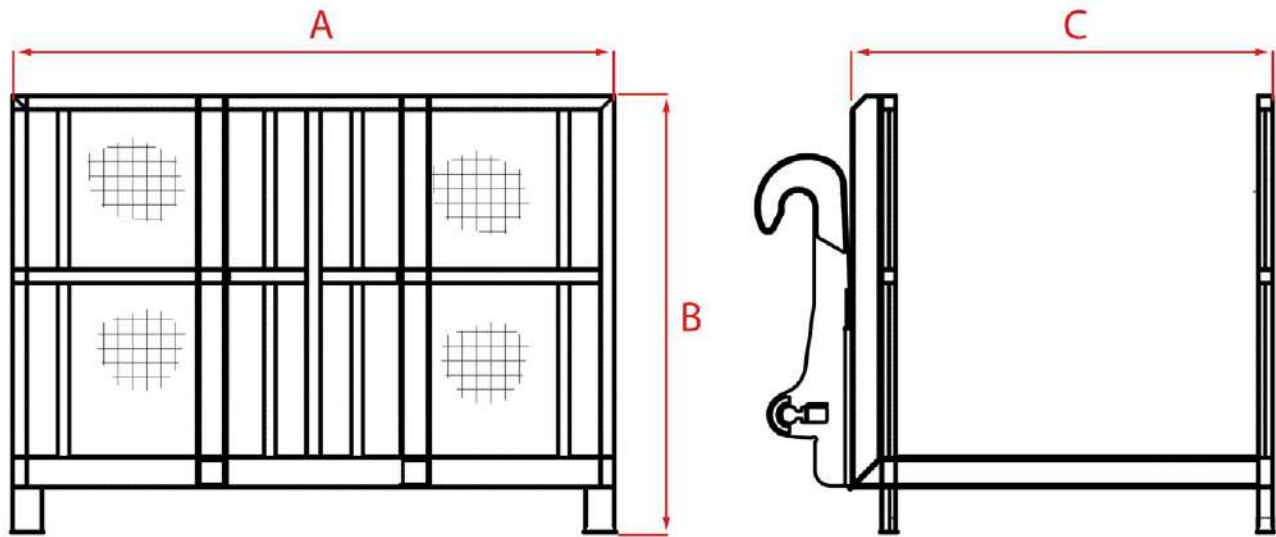
Special items



Material basket



This equipment is used to transport inert material at height quickly and safely.

Technical Data



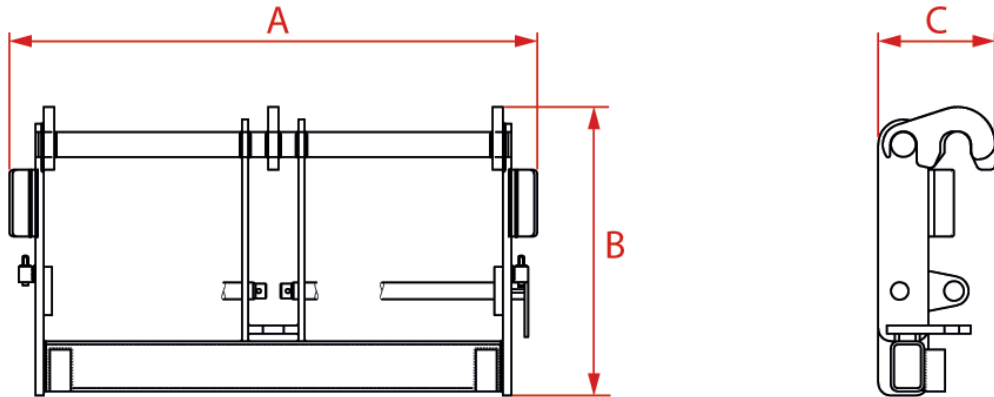
| | Code | A | B | C |  |  |
|---------|---------|-------------------|-------------------|-------------------|--|--|
| BUD6217 | TCS0016 | 2010 mm (79,1 in) | 1450 mm (57,1 in) | 1620 mm (63,8 in) | 1000 kg (2205 lb) | 685 kg (1510 lb) |
| BUD6218 | TCS0002 | 2010 mm (79,1 in) | 1450 mm (57,1 in) | 1620 mm (63,8 in) | 1000 kg (2205 lb) | 755 kg (1664 lb) |
| BUD6280 | TCS0045 | 2010 mm (79,1 in) | 1450 mm (57,1 in) | 1620 mm (63,8 in) | 500 kg (1102 lb) | 395 kg (871 lb) |
| BUD6352 | TCS0067 | 2010 mm (79,1 in) | 1450 mm (57,1 in) | 1620 mm (63,8 in) | 1500 kg (3307 lb) | 535 kg (1179 lb) |





Counterplates

Counterplate



Technical Data



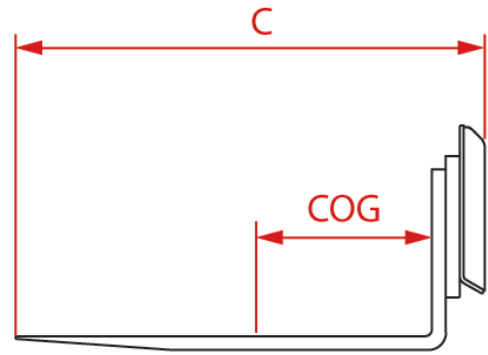
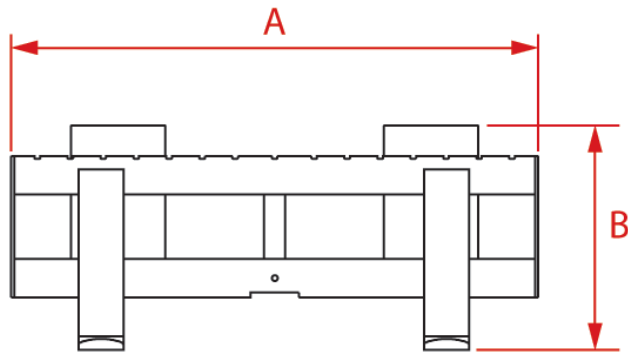
| | Code |  |  |  |  |
|---------|---------|--|--|--|--|
| BCV8238 | TCV0002 | 1265 mm (49,8 in) | 690 mm (27,2 in) | 280 mm (11 in) | 125 kg (276 lb) |
| BCV8279 | TCV0007 | 1405 mm (55,3 in) | 720 mm (28,3 in) | 200 mm (7,9 in) | 132 kg (291 lb) |
| BCV8276 | TCV0011 | 1415 mm (55,7 in) | 760 mm (29,9 in) | 350 mm (13,8 in) | 210 kg (463 lb) |

Counterplate with FEM forks



Counterplate with forks and FEM coupling, equipped with lower hooks and upper positioning fasteners to be adapted to the width of the load.

Technical Data



| | Code | A | B | C | | | COG | |
|---------|---------|----------------------|---------------------|----------------------|--------------------|-----------------|---------------------|--------------------|
| BCV8282 | TCV0018 | 1520 mm (59,8 in) | 650 mm (25,6 in) | 1540 mm (60,6 in) | 120 mm (4,7 in) | 50 mm (2 in) | 500 mm (19,7 in) | 255 kg (562 lb) |

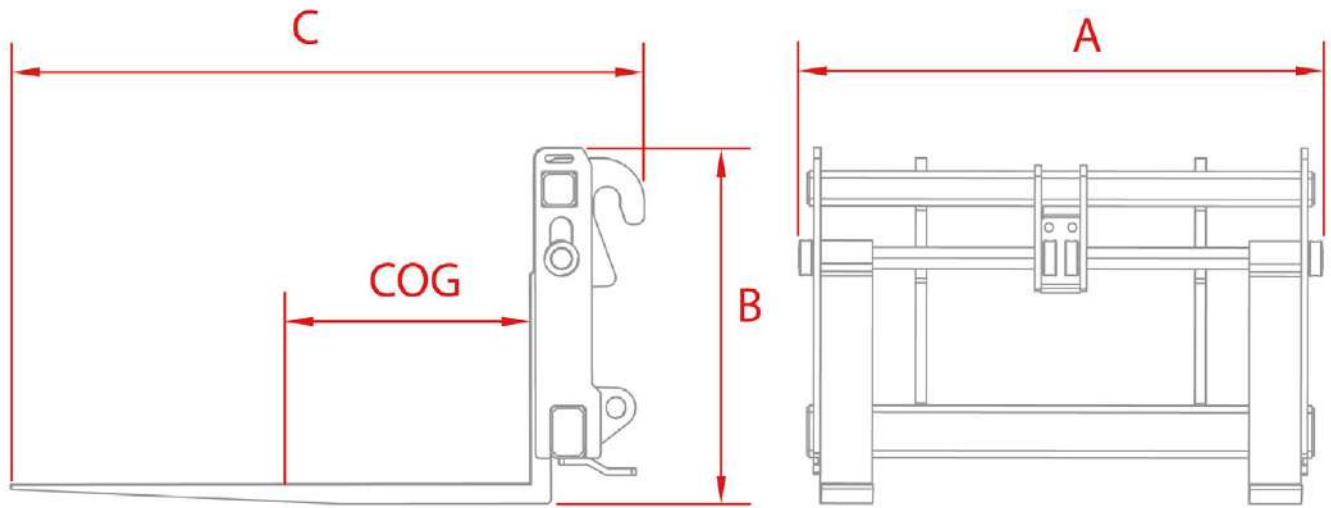
Counterplate with floating forks






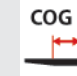




Counterplate with floating forks, which can self-adjust vertically to adapt to non-level operational load conditions.



Technical Data



| | Code |  |  |  |  |  |  |  |  |
|---------|---------|--|--|--|--|---|--|--|--|
| BCV8281 | TCV0017 | 1216 mm (47,9 in) | 820 mm (32,3 in) | 1445 mm (56,9 in) | 120 mm (4,7 in) | 45 mm (1,8 in) | 500 mm (19,7 in) | 2600 kg (5732 lb) | 263 kg (580 lb) |

Forks

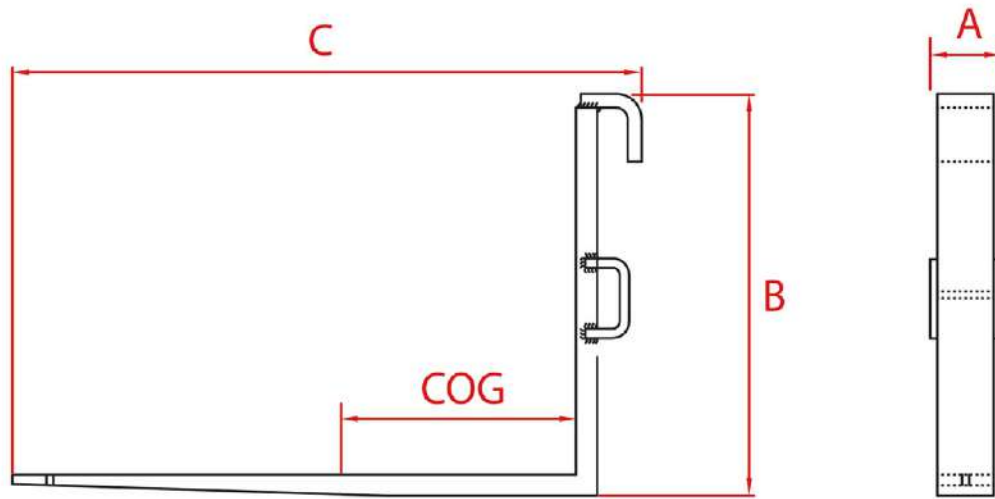
Floating forks



The floating forks are used for loading and unloading pallets even from inclined and uneven surfaces such as trucks with heavy gradients and rough terrain, they adapt perfectly to the support surface of the material to be moved thanks to their vertical sliding movement.



Technical Data



| | Code | A | B | C | | | | COG | | |
|---------|---------|--------------------|----------------------|-----------------------|--------------------|-------------------|----------------------|---------------------|---------------------------|---------------------|
| BUD1059 | TFR0008 | 150 mm (5,9 in) | 855 mm (33,7 in) | 1340 mm (52,8 in) | 120 mm (4,7 in) | 45 mm (1,8 in) | 1200 mm (47,2 in) | 500 mm (19,7 in) | 3800 kg (8378 lb) | 85 kg (187 lb) |
| BUD1060 | TFR0001 | 150 mm (5,9 in) | 855 mm (33,7 in) | 1340 mm (52,8 in) | 120 mm (4,7 in) | 45 mm (1,8 in) | 1200 mm (47,2 in) | 500 mm (19,7 in) | 3800 kg (8378 lb) | 82 kg (181 lb) |
| BUD1074 | TFR0006 | 100 mm (3,9 in) | 650 mm (25,6 in) | 1100 mm (43,3 in) | 100 mm (3,9 in) | 50 mm (2 in) | 1050 mm (41,3 in) | 600 mm (23,6 in) | 3900 KG (8598 lb) | 110 KG (243 lb) |
| BUD1077 | TFR0007 | 150 mm (5,9 in) | 865 mm (34,1 in) | 1345 mm (53 in) | 120 mm (4,7 in) | 50 mm (2 in) | 1200 mm (47,2 in) | 500 mm (19,7 in) | 4500 kg (9921 lb) | 97 kg (214 lb) |
| BUD1079 | TFR0004 | 150 mm (5,9 in) | 860 mm (33,9 in) | 1345 mm (53 in) | 120 mm (4,7 in) | 50 mm (2 in) | 1200 mm (47,2 in) | 500 mm (19,7 in) | 4000 kg (8818 lb) | 85 kg (187 lb) |
| BUD1085 | TFR0022 | 200 mm (7,9 in) | 1100 mm (43,3 in) | 2025 mm (79,7 in) | 200 mm (7,9 in) | 70 mm (2,8 in) | 1800 mm (70,9 in) | 600 mm (23,6 in) | 12000 kg (26455 lb) | 320 kg (705 lb) |
| BUD1091 | TFR0023 | 200 mm (7,9 in) | 1130 mm (44,5 in) | 2645 mm (104,1 in) | 200 mm (7,9 in) | 80 mm (3,1 in) | 2400 mm (94,5 in) | 600 mm (23,6 in) | 16000 kg (35274 lb) | 444 kg (979 lb) |
| BUD1093 | TFR0021 | 200 mm (7,9 in) | 1100 mm (43,3 in) | 1425 mm (56,1 in) | 200 mm (7,9 in) | 70 mm (2,8 in) | 1200 mm (47,2 in) | 600 mm (23,6 in) | 12000 kg (26455 lb) | 257 kg (567 lb) |
| BUD1104 | TFR0024 | 200 mm (7,9 in) | 1160 mm (45,7 in) | 2059 mm (81,1 in) | 200 mm (7,9 in) | 95 mm (3,7 in) | 1800 mm (70,9 in) | 900 mm (35,4 in) | 21000 kg (46297 lb) | 440 kg (970 lb) |
| BUD1105 | TFR0025 | 200 mm (7,9 in) | 1160 mm (45,7 in) | 2659 mm (104,7 in) | 200 mm (7,9 in) | 95 mm (3,7 in) | 2400 mm (94,5 in) | 900 mm (35,4 in) | 21000 kg (46297 lb) | 530 kg (1168 lb) |

| | | | | | | | | | | |
|---------|---------|--------------------|-------------------|----------------------|--------------------|-------------------|----------------------|---------------------|-----------------------|--------------------|
| BUD1187 | TFR0010 | 180 mm (7,1 in) | 890 mm (35 in) | 1375 mm (54,1 in) | 150 mm (5,9 in) | 60 mm (2,4 in) | 1200 mm (47,2 in) | 600 mm (23,6 in) | 7500 kg (16535 lb) | 140 kg (309 lb) |
| BUD1188 | TFR0018 | 230 mm (9,1 in) | 890 mm (35 in) | 1575 mm (62 in) | 200 mm (7,9 in) | 60 mm (2,4 in) | 1400 mm (55,1 in) | 600 mm (23,6 in) | 7500 kg (16535 lb) | 220 kg (485 lb) |
| BUD1219 | TFR0027 | 150 mm (5,9 in) | 890 mm (35 in) | 1355 mm (53,3 in) | 120 mm (4,7 in) | 45 mm (1,8 in) | 1200 mm (47,2 in) | 600 mm (23,6 in) | 4500 kg (9921 lb) | 410 kg (904 lb) |

Fork with two prongs



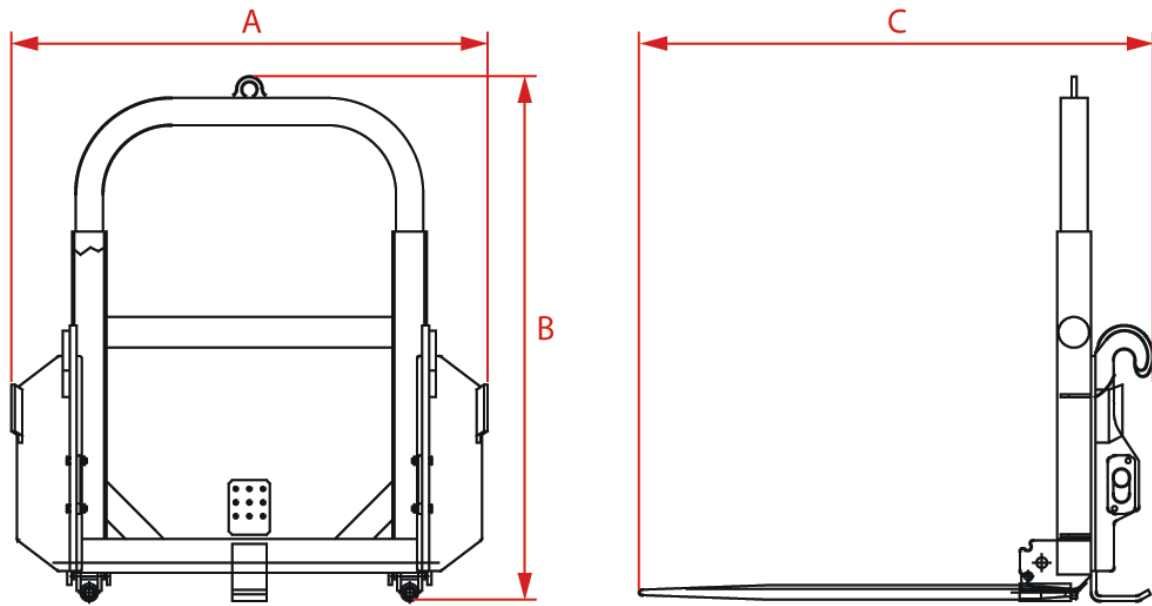
Tool suitable for handling round or square hay or fodder bales.



The front tips can be turned up for road circulation.

The frame is equipped with an upper (extensible) protection to prevent material from falling.



Technical Data



| | Code | A | B | C |  |  |
|---------|---------|-------------------|-------------------|-------------------|--|--|
| BUB2615 | TGN0007 | 1400 mm (55,1 in) | 1500 mm (59,1 in) | 1500 mm (59,1 in) | 600 kg (1323 lb) | 196 kg (432 lb) |
| BUB2623 | TGN0036 | 1400 mm (55,1 in) | 1500 mm (59,1 in) | 1500 mm (59,1 in) | 600 kg (1323 lb) | 196 kg (432 lb) |
| BUB2643 | TGN0018 | 1400 mm (55,1 in) | 1500 mm (59,1 in) | 1500 mm (59,1 in) | 600 kg (1323 lb) | 196 kg (432 lb) |

Fork with three prongs



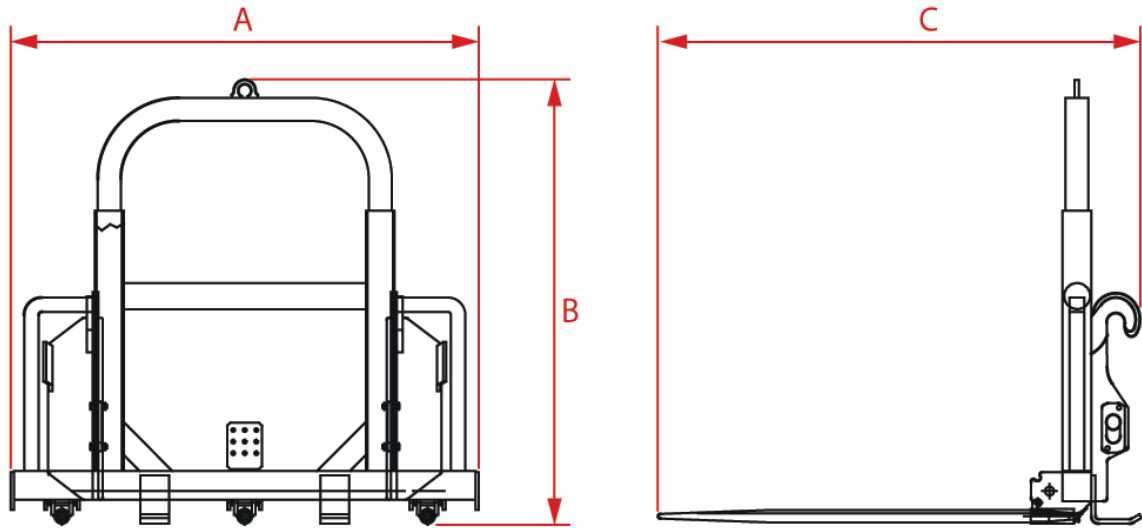
Tool suitable for handling round or square hay or fodder bales.



The front tips can be turned up for road circulation.

The frame is equipped with an upper (extensible) protection to prevent material from falling.



Technical Data



| | Code | A | B | C |  |  |
|---------|---------|-----------------|-------------------|-------------------|--|--|
| BUB2611 | TGN0063 | 1650 mm (65 in) | 1500 mm (59,1 in) | 1500 mm (59,1 in) | 600 kg (1323 lb) | 230 kg (507 lb) |
| BUB2616 | TGN0008 | 1650 mm (65 in) | 1500 mm (59,1 in) | 1500 mm (59,1 in) | 1200 kg (2646 lb) | 230 kg (507 lb) |
| BUB2620 | TGN0019 | 1650 mm (65 in) | 1500 mm (59,1 in) | 1500 mm (59,1 in) | 600 kg (1323 lb) | 230 kg (507 lb) |

Equipment

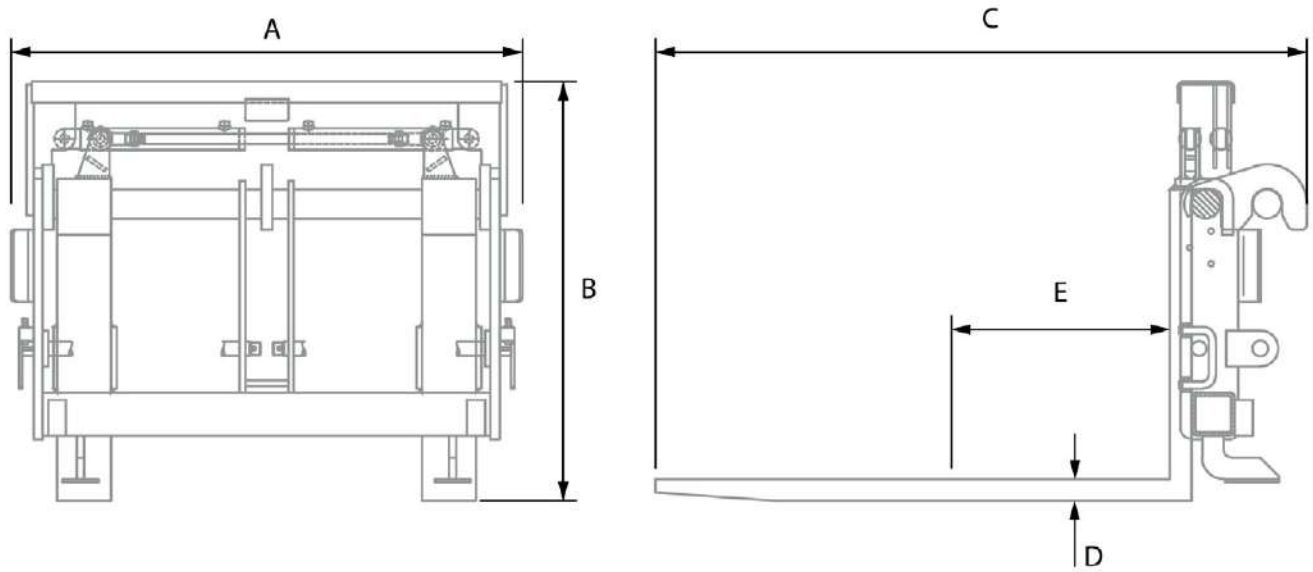
Fork positioner









Fork spreader



This equipment is used to widen or tighten the forks by means of a hydraulic control from the cab.

Technical Data



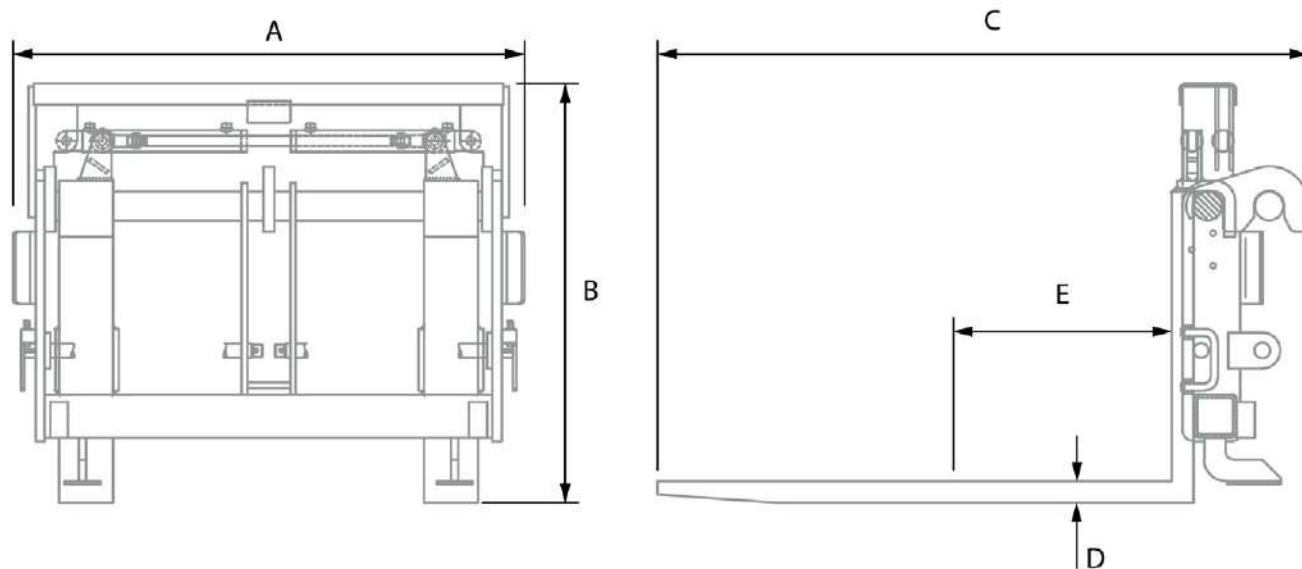
| | Code |  |  |  |  |  |  |  |  |
|---------|---------|--|--|--|--|---|--|--|--|
| BCV8063 | TCV0001 | 1270 mm (50 in) | 1123 mm (44,2 in) | 1473 mm (58 in) | 120 mm (4,7 in) | 45 mm (1,8 in) | 500 mm (19,7 in) | 3800 kg (8378 lb) | 390 kg (860 lb) |
| BCV8069 | TCV0008 | 1410 mm (55,5 in) | 1128 mm (44,4 in) | 1500 mm (59,1 in) | 120 mm (4,7 in) | 50 mm (2 in) | 500 mm (19,7 in) | 5000 kg (11023 lb) | 545 kg (1202 lb) |
| BCV8092 | TCV0009 | 1405 mm (55,3 in) | 1086 mm (42,8 in) | 1400 mm (55,1 in) | 120 mm (4,7 in) | 45 mm (1,8 in) | 500 mm (19,7 in) | 3800 kg (8378 lb) | 425 kg (937 lb) |
| BCV8294 | TCV0010 | 1420 mm (55,9 in) | 1150 mm (45,3 in) | 1580 mm (62,2 in) | 150 mm (5,9 in) | 60 mm (2,4 in) | 600 mm (23,6 in) | 7500 kg (16535 lb) | 555 kg (1224 lb) |

Forks spreader shifter



This equipment is used to widen, tighten and move the forks to the right or left by a hydraulic control from the cab.

Technical Data



| | Code | A | B | C | | | COG | | |
|---------|---------|----------------------|----------------------|-----------------------|--------------------|-------------------|----------------------|------------------------|----------------------|
| BCV8286 | TCV0019 | 2370 mm (93,3 in) | 1462 mm (57,6 in) | 1655 mm (65,2 in) | 200 mm (7,9 in) | 70 mm (2,8 in) | 600 mm (23,6 in) | 10000 kg (22046 lb) | 1663 kg (3666 lb) |
| BCV8287 | TCV0020 | 2370 mm (93,3 in) | 1462 mm (57,6 in) | 2255 mm (88,8 in) | 200 mm (7,9 in) | 70 mm (2,8 in) | 900 mm (35,4 in) | 8150 kg (17968 lb) | 1800 kg (3968 lb) |
| BCV8288 | TCV0021 | 2370 mm (93,3 in) | 1592 mm (62,7 in) | 2865 mm (112,8 in) | 200 mm (7,9 in) | 80 mm (3,1 in) | 1200 mm (47,2 in) | 8500 kg (18739 lb) | 2000 kg (4409 lb) |
| BCV8302 | TCV0022 | 2370 mm (93,3 in) | 1592 mm (62,7 in) | 2255 mm (88,8 in) | 200 mm (7,9 in) | 95 mm (3,7 in) | 900 mm (35,4 in) | 20000 kg (44092 lb) | 2000 kg (4409 lb) |
| BCV8303 | TCV0023 | 2370 mm (93,3 in) | 1592 mm (62,7 in) | 2865 mm (112,8 in) | 200 mm (7,9 in) | 95 mm (3,7 in) | 1200 mm (47,2 in) | 17300 kg (38140 lb) | 2200 kg (4850 lb) |

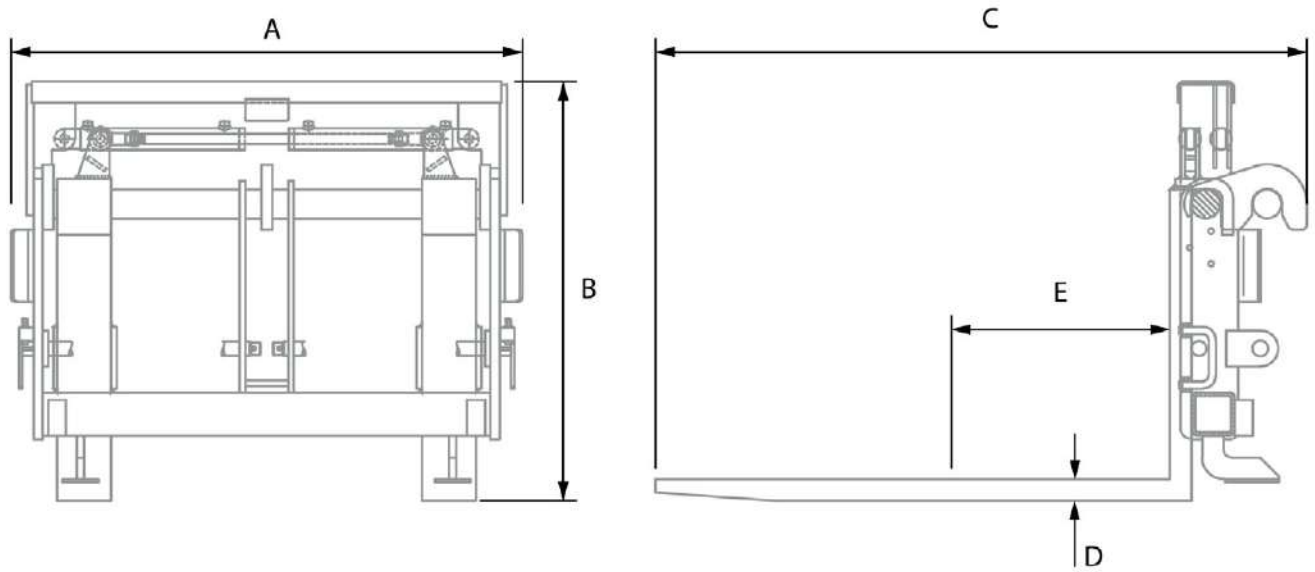
Forks shifting unit






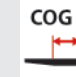




This equipment used to move the forks to the left or right by a hydraulic control from the cab.



Technical Data



| | Code |  |  |  |  |  |  |  |  |
|---------|---------|--|--|--|--|---|--|--|--|
| BCV8070 | TCV0015 | 1170 mm (46,1 in) | 755 mm (29,7 in) | 1540 mm (60,6 in) | 120 mm (4,7 in) | 45 mm (1,8 in) | 500 mm (19,7 in) | 2500 kg (5512 lb) | 320 kg (705 lb) |
| BCV8077 | TCV0016 | 1470 mm (57,9 in) | 755 mm (29,7 in) | 1540 mm (60,6 in) | 120 mm (4,7 in) | 45 mm (1,8 in) | 500 mm (19,7 in) | 2500 kg (5512 lb) | 350 kg (772 lb) |

Bucket

4 in 1 bucket



This equipment is suitable for loading and unloading operations. Thanks to the hydraulic opening it is suitable to grasp objects (also cylindrical), to dose aggregates unloading and to level the ground.



Optionals:



Blade cover

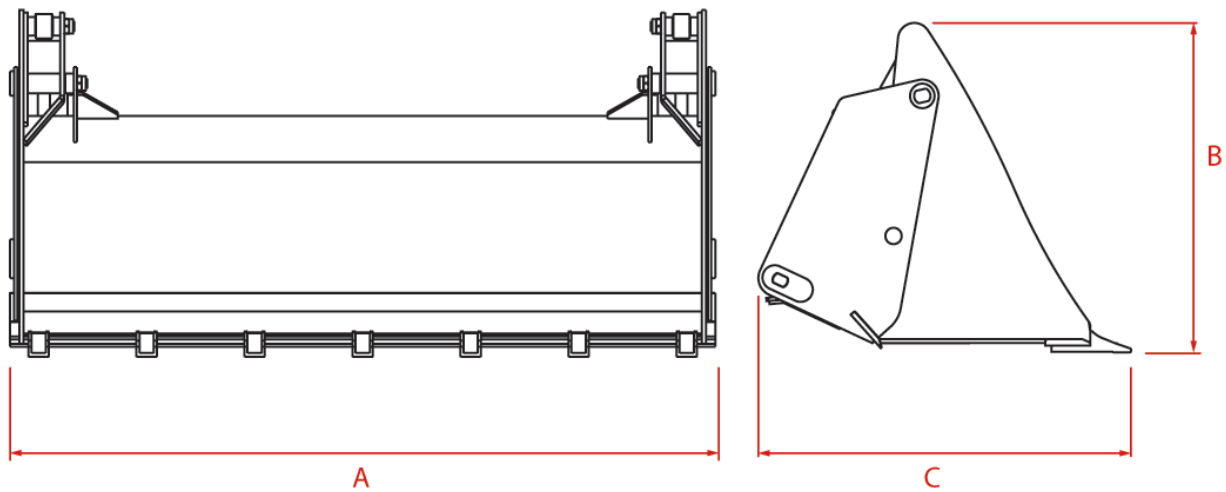


Mobile level indicator



Full rear guard

Technical Data



| | Code | A | B | C | | | | |
|-----------|---------|----------------------|----------------------|----------------------|---|---|---|-----------------------|
| BUB2669 | TBN0215 | 2450 mm (96,5 in) | 1313 mm (51,7 in) | 1227 mm (48,3 in) | 1,25 m ³ (44 ft ³) | 800 kg/m ³ (50 lb/ft ³) | 8 | 812 kg (1790 lb) |
| BUB2682 | TBN0120 | 1980 mm (78 in) | 1100 mm (43,3 in) | 945 mm (37,2 in) | 0,85 m ³ (30 ft ³) | 800 kg/m ³ (50 lb/ft ³) | 6 | 420 kg (926 lb) |
| BUB2682-S | TBN0118 | 1980 mm (78 in) | 1100 mm (43,3 in) | 945 mm (37,2 in) | 0,85 m ³ (30 ft ³) | 800 kg/m ³ (50 lb/ft ³) | 6 | 453,5 kg (1000 lb) |
| BUB2683 | TBN0119 | 1980 mm (78 in) | 1105 mm (43,5 in) | 945 mm (37,2 in) | 0,85 m ³ (30 ft ³) | 800 kg/m ³ (50 lb/ft ³) | 6 | 431 kg (950 lb) |
| BUB2685 | TBN0213 | 2400 mm (94,5 in) | 1210 mm (47,6 in) | 1024 mm (40,3 in) | 1,0 m ³ (35 ft ³) | 800 kg/m ³ (50 lb/ft ³) | 8 | 658 kg (1451 lb) |
| BUB2685-S | TBN0216 | 2400 mm (94,5 in) | 1210 mm (47,6 in) | 1024 mm (40,3 in) | 1,0 m ³ (35 ft ³) | 800 kg/m ³ (50 lb/ft ³) | 8 | 725 kg (1598 lb) |
| BUB2686 | TBN0214 | 2400 mm (94,5 in) | 1210 mm (47,6 in) | 1120 mm (44,1 in) | 1,0 m ³ (35 ft ³) | 800 kg/m ³ (50 lb/ft ³) | 8 | 655 kg (1444 lb) |
| BUB2686-S | TBN0217 | 2400 mm (94,5 in) | 1210 mm (47,6 in) | 1120 mm (44,1 in) | 1,0 m ³ (35 ft ³) | 800 kg/m ³ (50 lb/ft ³) | 8 | 741 kg (1634 lb) |
| BUB2721 | TBN0134 | 2400 mm (94,5 in) | 1210 mm (47,6 in) | 1024 mm (40,3 in) | 1 m ³ (35 ft ³) | 800 kg/m ³ (50 lb/ft ³) | 8 | 658 kg (1451 lb) |
| BUB2721-S | TBN0135 | 2400 mm (94,5 in) | 1210 mm (47,6 in) | 1024 mm (40,3 in) | 1 m ³ (35 ft ³) | 800 kg/m ³ (50 lb/ft ³) | 8 | 725 kg (1598 lb) |
| BUB2723 | TBN0173 | 1980 mm (78 in) | 1105 mm (43,5 in) | 910 mm (35,8 in) | 0,85 m ³ (30 ft ³) | 800 kg/m ³ (50 lb/ft ³) | 6 | 427 kg (941 lb) |
| BUB2723-S | TBN0175 | 1980 mm (78 in) | 1105 mm (43,5 in) | 910 mm (35,8 in) | 0,85 m ³ (30 ft ³) | 800 kg/m ³ (50 lb/ft ³) | 6 | 462,5 kg (1020 lb) |

| | | | | | | | | |
|-----------|---------|----------------------|----------------------|----------------------|--|---|---|-----------------------|
| BUB2724 | TBN0174 | 1980 mm (78 in) | 1105 mm (43,5 in) | 995 mm (39,2 in) | 0,85 m ³ (30 ft ³) | 800 kg/m ³ (50 lb/ft ³) | 6 | 430 kg (948 lb) |
| BUB2724-S | TBN0176 | 1980 mm (78 in) | 1105 mm (43,5 in) | 995 mm (39,2 in) | 0,85 m ³ (30 ft ³) | 800 kg/m ³ (50 lb/ft ³) | 6 | 469,5 kg (1035 lb) |
| BUB2740 | TBN0133 | 2400 mm (94,5 in) | 1210 mm (47,6 in) | 1024 mm (40,3 in) | 1 m ³ (35 ft ³) | 800 kg/m ³ (50 lb/ft ³) | 8 | 680,5 kg (1500 lb) |

Bucket for silage with grab



This equipment is intended for loading, unloading and handling bulk materials, such as silage, grains and chips.

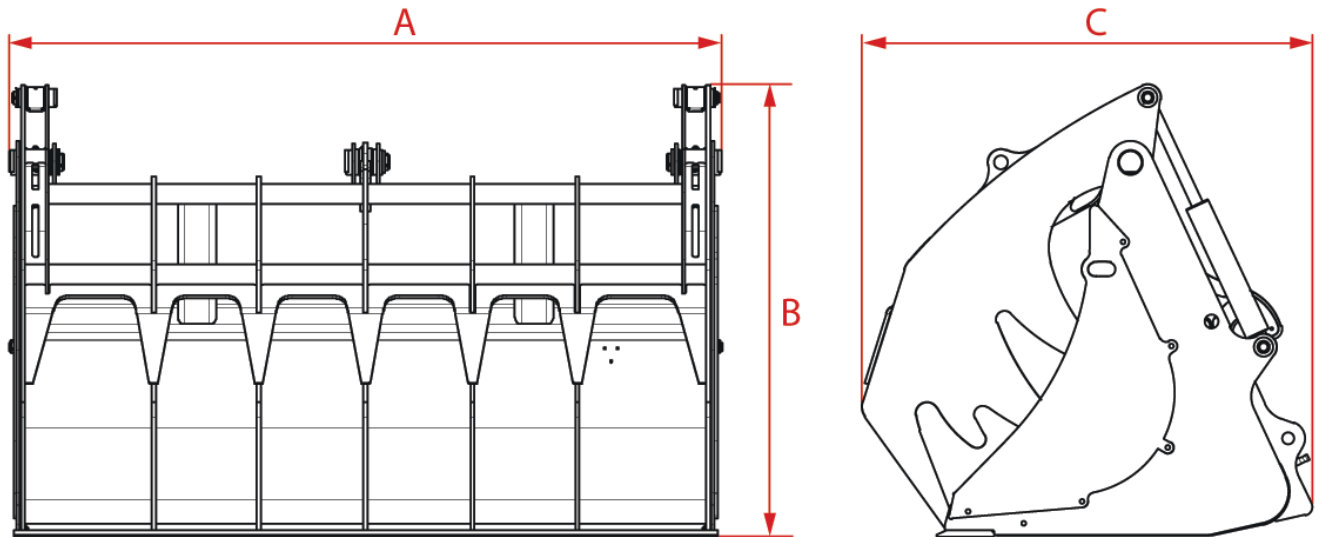
Thanks to the use of the holder, the bucket is used to its full potential, thus providing a greater load capacity, as the material is held in the bucket volumetric load capacity.







Optionals:

| | | |
|---|---|--|
|  |  |  |
| <p>Blade cover</p> | <p>Mobile level indicator</p> | <p>Split rear guard</p> |

Technical Data



| | Code | A | B | C |  |  |  |  |
|-----------|---------|----------------------|----------------------|----------------------|---|--|--|--|
| BUB2667 | TBN0226 | 2450 mm (96,5 in) | 1570 mm (61,8 in) | 1570 mm (61,8 in) | 2,5 m ³ (88 ft ³) | 800 kg/m ³ (50 lb/ft ³) | 8 | 1200,5 kg (2647 lb) |
| BUB2667-S | TBN0229 | 2450 mm (96,5 in) | 1570 mm (61,8 in) | 1570 mm (61,8 in) | 2,5 m ³ (88 ft ³) | 800 kg/m ³ (50 lb/ft ³) | 8 | 1269 kg (2798 lb) |
| BUB2736 | TBN0224 | 2400 mm (94,5 in) | 1260 mm (49,6 in) | 1000 mm (39,4 in) | 1,5 m ³ (53 ft ³) | 800 kg/m ³ (50 lb/ft ³) | 8 | 836,5 kg (1844 lb) |
| BUB2736-S | TBN0227 | 2400 mm (94,5 in) | 1260 mm (49,6 in) | 1000 mm (39,4 in) | 1,5 m ³ (53 ft ³) | 800 kg/m ³ (50 lb/ft ³) | 8 | 903,5 kg (1992 lb) |
| BUB2737 | TBN0139 | 2400 mm (94,5 in) | 1260 mm (49,6 in) | 1080 mm (42,5 in) | 1,5 m ³ (53 ft ³) | 800 kg/m ³ (50 lb/ft ³) | 8 | 836,5 kg (1844 lb) |
| BUB2737-S | TBN0140 | 2400 mm (94,5 in) | 1260 mm (49,6 in) | 1080 mm (42,5 in) | 1,5 m ³ (53 ft ³) | 800 kg/m ³ (50 lb/ft ³) | 8 | 903,5 kg (1992 lb) |
| BUB2738 | TBN0225 | 2400 mm (94,5 in) | 1260 mm (49,6 in) | 1060 mm (41,7 in) | 1,5 m ³ (53 ft ³) | 800 kg/m ³ (50 lb/ft ³) | 8 | 832 kg (1834 lb) |
| BUB2738-S | TBN0228 | 2400 mm (94,5 in) | 1260 mm (49,6 in) | 1060 mm (41,7 in) | 1,5 m ³ (53 ft ³) | 800 kg/m ³ (50 lb/ft ³) | 8 | 899 kg (1982 lb) |

Bucket for manure and generic material with grab



This equipment is intended for loading, unloading and handling bulk materials, such as manure, non-hazardous waste in a compactable form and timber.

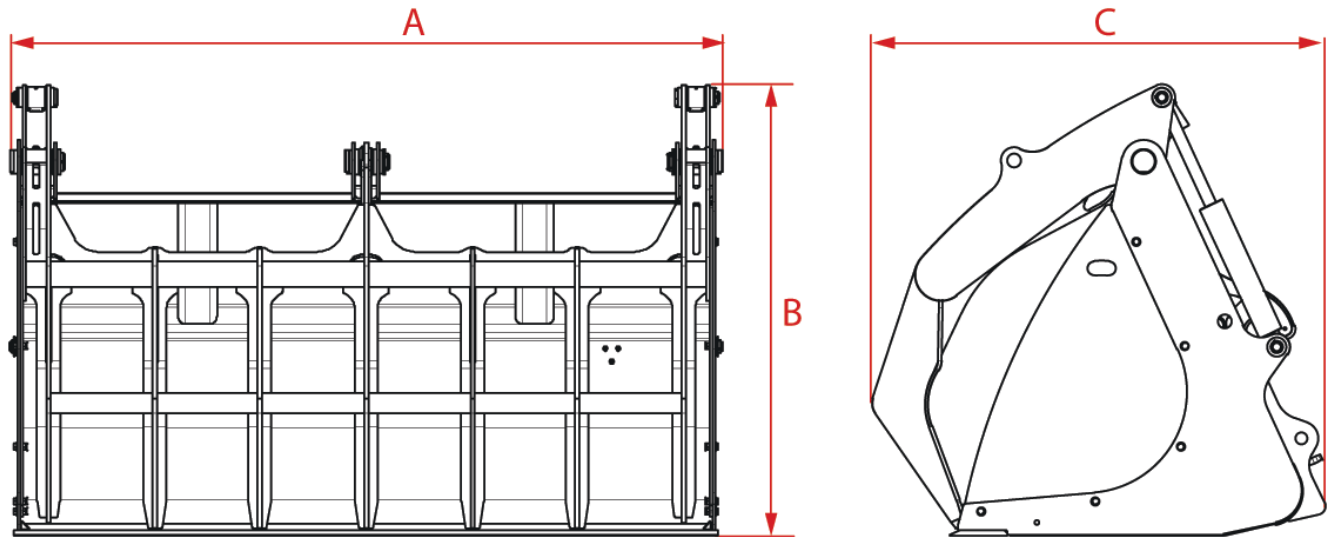
Thanks to the use of the holder the bucket is used at its full potential, thus providing a greater load capacity, as the material can be compressed and held in the bucket volumetric load capacity.







Optionals:

| | | |
|---|---|--|
|  |  |  |
| <p>Blade cover</p> | <p>Mobile level indicator</p> | <p>Split rear guard</p> |

Technical Data



| | Code | A | B | C |  |  |  |  |
|-----------|---------|----------------------|----------------------|----------------------|---|--|--|--|
| BUB2666 | TBN0220 | 2450 mm (96,5 in) | 1600 mm (63 in) | 1780 mm (70,1 in) | 2,5 m ³ (88 ft ³) | 800 kg/m ³ (50 lb/ft ³) | 8 | 1169,5 kg (2578 lb) |
| BUB2666-S | TBN0223 | 2450 mm (96,5 in) | 1600 mm (63 in) | 1780 mm (70,1 in) | 2,5 m ³ (88 ft ³) | 800 kg/m ³ (50 lb/ft ³) | 8 | 1237,5 kg (2728 lb) |
| BUB2672 | TBN0126 | 1980 mm (78 in) | 1200 mm (47,2 in) | 1270 mm (50 in) | 1,25 m ³ (44 ft ³) | 800 kg/m ³ (50 lb/ft ³) | 6 | 571 kg (1259 lb) |
| BUB2672-S | TBN0113 | 1980 mm (78 in) | 1200 mm (47,2 in) | 1270 mm (50 in) | 1,25 m ³ (44 ft ³) | 800 kg/m ³ (50 lb/ft ³) | 6 | 604,5 kg (1333 lb) |
| BUB2687 | TBN0218 | 2400 mm (94,5 in) | 1260 mm (49,6 in) | 1255 mm (49,4 in) | 1,5 m ³ (53 ft ³) | 800 kg/m ³ (50 lb/ft ³) | 8 | 811 kg (1788 lb) |
| BUB2687-S | TBN0221 | 2400 mm (94,5 in) | 1260 mm (49,6 in) | 1255 mm (49,4 in) | 1,5 m ³ (53 ft ³) | 800 kg/m ³ (50 lb/ft ³) | 8 | 878 kg (1936 lb) |
| BUB2688 | TBN0219 | 2400 mm (94,5 in) | 1250 mm (49,2 in) | 1245 mm (49 in) | 1,5 m ³ (53 ft ³) | 800 kg/m ³ (50 lb/ft ³) | 8 | 811 kg (1788 lb) |
| BUB2688-S | TBN0222 | 2400 mm (94,5 in) | 1250 mm (49,2 in) | 1245 mm (49 in) | 1,5 m ³ (53 ft ³) | 800 kg/m ³ (50 lb/ft ³) | 8 | 878 kg (1936 lb) |
| BUB2722 | TBN0137 | 2400 mm (94,5 in) | 1255 mm (49,4 in) | 1255 mm (49,4 in) | 1,5 m ³ (53 ft ³) | 800 kg/m ³ (50 lb/ft ³) | 8 | 811 kg (1788 lb) |
| BUB2722-S | TBN0138 | 2400 mm (94,5 in) | 1255 mm (49,4 in) | 1255 mm (49,4 in) | 1,5 m ³ (53 ft ³) | 800 kg/m ³ (50 lb/ft ³) | 8 | 878 kg (1936 lb) |
| BUB2725 | TBN0177 | 1980 mm (78 in) | 1205 mm (47,4 in) | 1235 mm (48,6 in) | 1,25 m ³ (44 ft ³) | 800 kg/m ³ (50 lb/ft ³) | 6 | 582 kg (1283 lb) |
| BUB2725-S | TBN0179 | 1980 mm (78 in) | 1205 mm (47,4 in) | 1235 mm (48,6 in) | 1,25 m ³ (44 ft ³) | 800 kg/m ³ (50 lb/ft ³) | 6 | 617,5 kg (1361 lb) |

| | | | | | | | | |
|-----------|---------|--------------------|----------------------|--------------------|--|---|---|-----------------------|
| BUB2726 | TBN0178 | 1980 mm (78 in) | 1205 mm (47,4 in) | 1320 mm (52 in) | 1,25 m ³ (44 ft ³) | 800 kg/m ³ (50 lb/ft ³) | 6 | 582 kg (1283 lb) |
| BUB2726-S | TBN0180 | 1980 mm (78 in) | 1205 mm (47,4 in) | 1320 mm (52 in) | 1,25 m ³ (44 ft ³) | 800 kg/m ³ (50 lb/ft ³) | 6 | 617,5 kg (1361 lb) |

Bucket for fodder with grab



This equipment is intended for loading, unloading and handling bulk fodder.

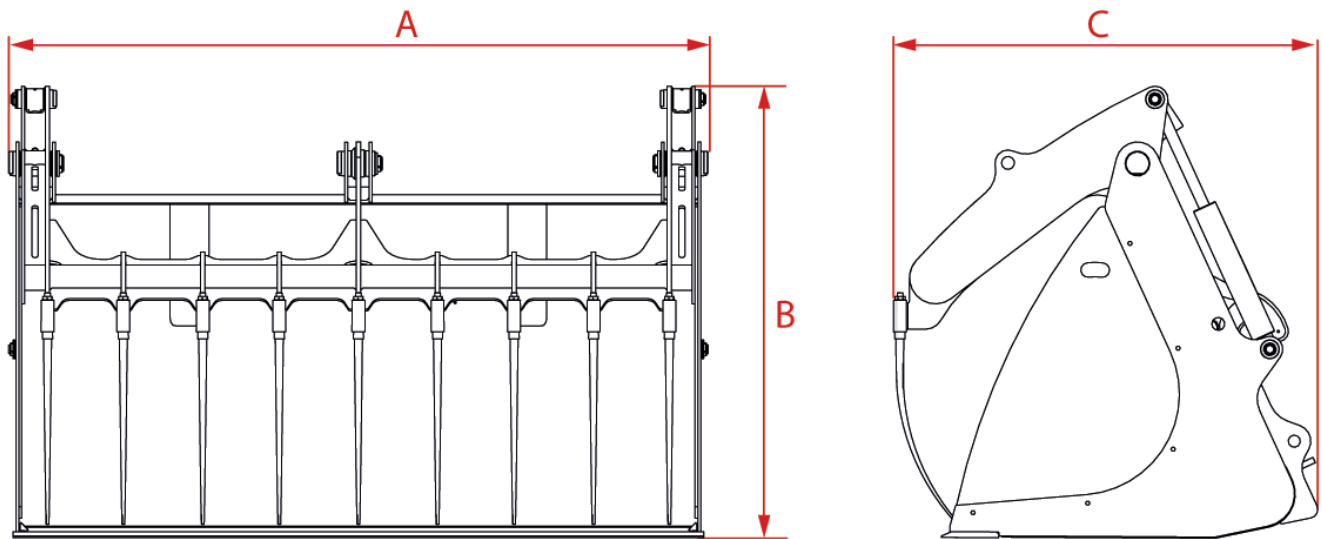
Thanks to the use of the holder, the bucket is used to its full potential, thus providing a greater load capacity, as the material is held in the bucket volumetric load capacity.






Optionals:

| | | |
|---|---|--|
|  |  |  |
| <p>Blade cover</p> | <p>Mobile level indicator</p> | <p>Split rear guard</p> |

Technical Data



| | Code | A | B | C |  |  |  |
|---------|---------|----------------------|----------------------|----------------------|--|--|--|
| BUB2765 | TBN0254 | 2450 mm (96,5 in) | 1370 mm (53,9 in) | 1475 mm (58,1 in) | 2,5 m ³ (88 ft ³) | 8 | 1055 kg (2326 lb) |
| BUB2727 | TBN0246 | 2400 mm (94,5 in) | 1250 mm (49,2 in) | 1180 mm (46,5 in) | 1,5 m ³ (53 ft ³) | 8 | 748,5 kg (1650 lb) |
| BUB2728 | - | 2400 mm (94,5 in) | 1250 mm (49,2 in) | 1170 mm (46,1 in) | 1,5 m ³ (53 ft ³) | 8 | 748,5 kg (1650 lb) |
| BUB2729 | TBN0259 | 2400 mm (94,5 in) | 1250 mm (49,2 in) | 1170 mm (46,1 in) | 1,5 m ³ (53 ft ³) | 8 | 744 kg (1640 lb) |

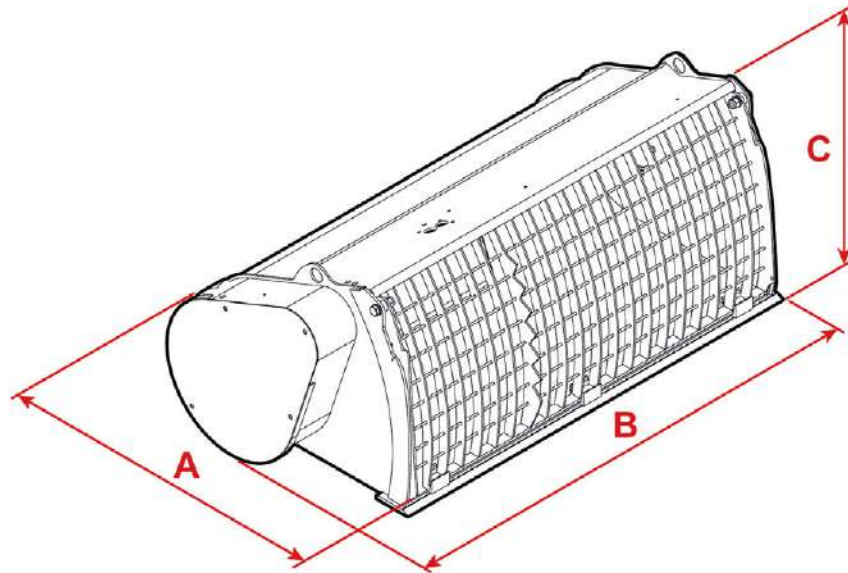
Mixing bucket





The mixing bucket is the ideal device to produce fresh cement in any condition with unparalleled ease and speed. In addition to the significant reduction in operating costs, using this equipment is essential in many cases, for example when there is no electric current available for using classic concrete mixer.



Technical Data



| | Code | A | B | C |  |  |
|---------|---------|-------------------|------------------|------------------|--|--|
| BUD3040 | TBN0051 | 1700 mm (66,9 in) | 720 mm (28,3 in) | 820 mm (32,3 in) | 500 L (132,09 gal) | 680 kg (1499 lb) |
| BUD3057 | TBN0079 | 1700 mm (66,9 in) | 630 mm (24,8 in) | 750 mm (29,5 in) | 350 L (92,46 gal) | 400 kg (882 lb) |
| BUD3058 | TBN0077 | 1700 mm (66,9 in) | 630 mm (24,8 in) | 750 mm (29,5 in) | 350 L (92,46 gal) | 447 kg (985 lb) |
| BUD3060 | TBN0034 | 1700 mm (66,9 in) | 630 mm (24,8 in) | 750 mm (29,5 in) | 350 L (92,46 gal) | 440 kg (970 lb) |
| BUD3062 | TBN0088 | 1700 mm (66,9 in) | 630 mm (24,8 in) | 750 mm (29,5 in) | 350 L (92,46 gal) | 440 kg (970 lb) |
| BUD3063 | TBN0035 | 1700 mm (66,9 in) | 720 mm (28,3 in) | 820 mm (32,3 in) | 500 L (132,09 gal) | 680 kg (1499 lb) |
| BUD3065 | TBN0089 | 1700 mm (66,9 in) | 720 mm (28,3 in) | 820 mm (32,3 in) | 500 L (132,09 gal) | 680 kg (1499 lb) |
| BUD3066 | TBN0066 | 1760 mm (69,3 in) | 720 mm (28,3 in) | 820 mm (32,3 in) | 600 L (158,5 gal) | 700 kg (1543 lb) |

Ladle

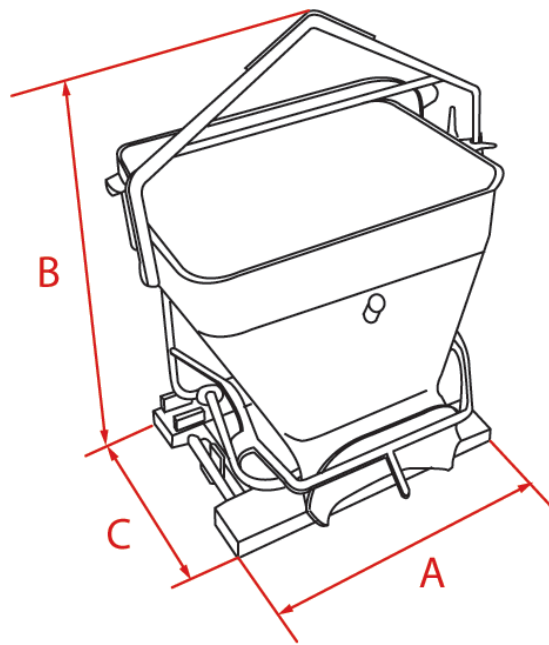


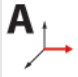




This equipment is ideal for loading and transporting concrete, or for cleaning and emptying facilities from construction waste.

Equipped with hydraulic opening that can be operated from the cab.



Technical Data



| | Code | A  | B  | C  |  |  |
|---------|---------|--|--|---|--|--|
| BUD3020 | TGN0012 | 1200 mm (47,2 in) | 1460 mm (57,5 in) | 1400 mm (55,1 in) | 400 L (105,67 gal) | 212 kg (467 lb) |
| BUD3021 | TGN0015 | 1200 mm (47,2 in) | 1260 mm (49,6 in) | 1400 mm (55,1 in) | 600 L (158,5 gal) | 228 kg (503 lb) |

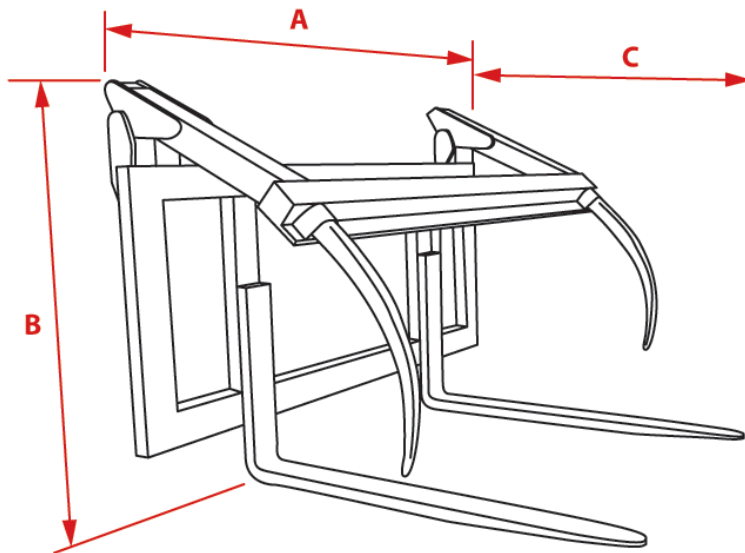
Forks





Fork for logs



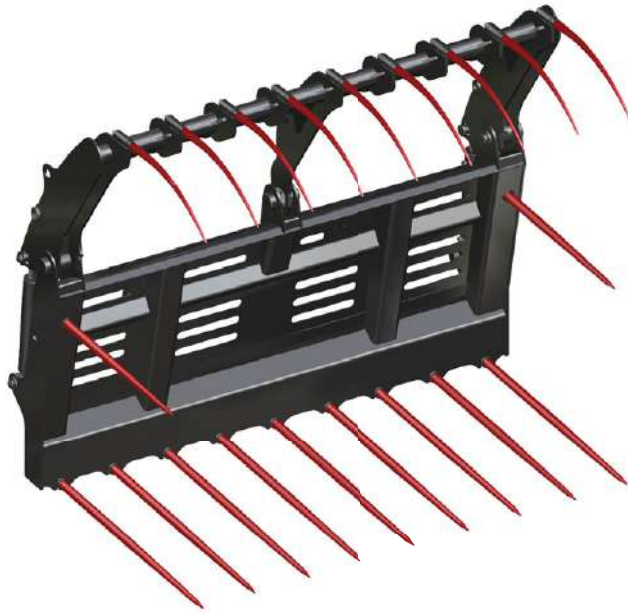
Equipment suitable for feeding forest separation plants, in industrial sawmills and for handling and storing wood and log stacks. Equipped with a hydraulically operated closing grid, it is also effective for unloading timber from trailers and for sorting whole logs.

Technical Data



| | Code | A  | B  | C  |  |
|---------|---------|--|--|--|--|
| BUD1033 | TGN0009 | 1300 mm (51,2 in) | 960 mm (37,8 in) | 1446 mm (56,9 in) | 300 kg (661 lb) |
| BUD1168 | TGN0020 | 1300 mm (51,2 in) | 960 mm (37,8 in) | 1563 mm (61,5 in) | 340 kg (750 lb) |

Multipurpose fork with holder



This equipment is ideal for use in handling very dense semi-solid material such as manure, peat, wet wood chips and more. The reduced distance between the teeth almost completely eliminates the outflow of the material. The holder has a double function, on the one hand it facilitates the detachment of the material from the pile and on the other, once tightened, it holds it firmly to the fork.

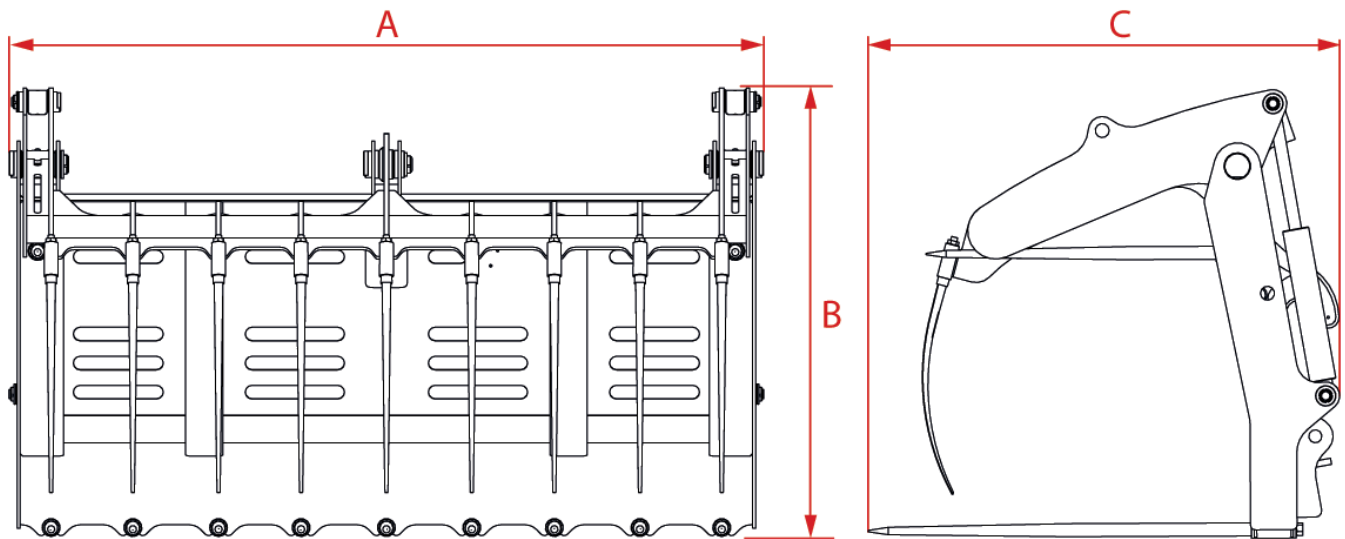




Optionals:



Split rear guard

Technical Data



| | Code | A | B | C |  |  |
|---------|---------|-------------------|-------------------|------------------|--|--|
| BUD1028 | TGN0013 | 2420 mm (95,3 in) | 1100 mm (43,3 in) | 970 mm (38,2 in) | 850 kg (1874 lb) | 450 kg (992 lb) |
| BUD1031 | TGN0010 | 2420 mm (95,3 in) | 1100 mm (43,3 in) | 960 mm (37,8 in) | 850 kg (1874 lb) | 370 kg (816 lb) |
| BUD1070 | TGN0037 | 2420 mm (95,3 in) | 1100 mm (43,3 in) | 950 mm (37,4 in) | 850 kg (1874 lb) | 350 kg (772 lb) |
| BUD1073 | TGN0021 | 2420 mm (95,3 in) | 1100 mm (43,3 in) | 970 mm (38,2 in) | 850 kg (1874 lb) | 450 kg (992 lb) |

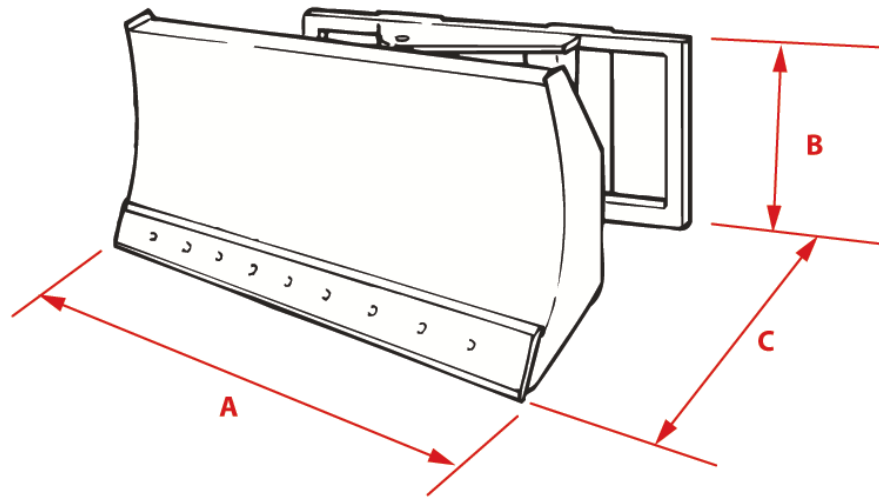
Blades


Angledozer blade



Blade suitable for excavation, spreading and leveling of soil with double-acting hydraulic cylinders for left and right angles.

Technical Data



| | Code | A | B | C |  |
|---------|---------|-------------------|------------------|------------------|--|
| BUD1170 | - | 1820 mm (71,7 in) | 563 mm (22,2 in) | 611 mm (24,1 in) | 188 kg (414 lb) |
| BUD1171 | - | 1820 mm (71,7 in) | 563 mm (22,2 in) | 611 mm (24,1 in) | 188 kg (414 lb) |
| BUD1175 | TGN0043 | 2120 mm (83,5 in) | 660 mm (26 in) | 611 mm (24,1 in) | 213 kg (470 lb) |
| BUD1176 | TGN0039 | 2100 mm (82,7 in) | 660 mm (26 in) | 611 mm (24,1 in) | 213 kg (470 lb) |
| BUD1195 | TGN0026 | 2400 mm (94,5 in) | 660 mm (26 in) | 611 mm (24,1 in) | 315 kg (694 lb) |

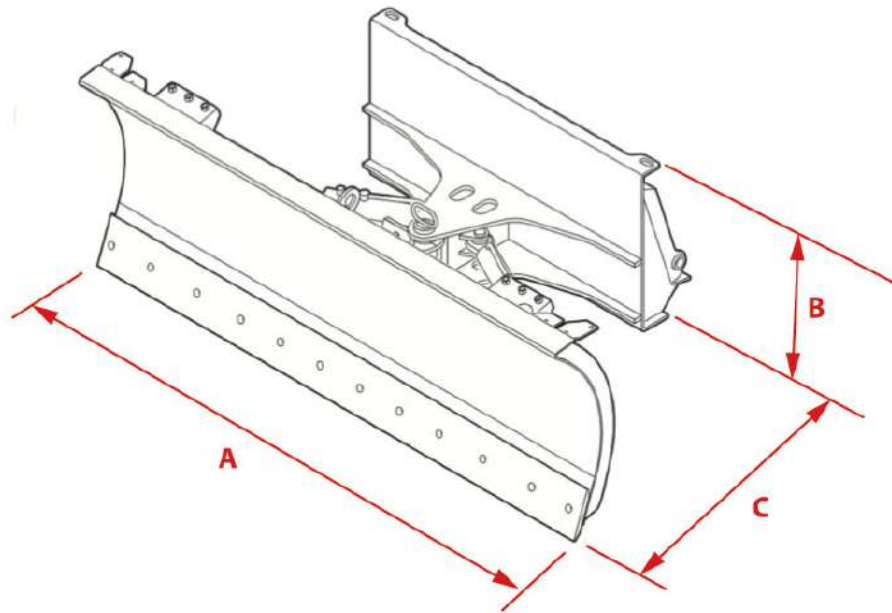
Snow plough




Snow plough with shock-proof tipping system with spring return, horizontal self leveling and left-right rotation.

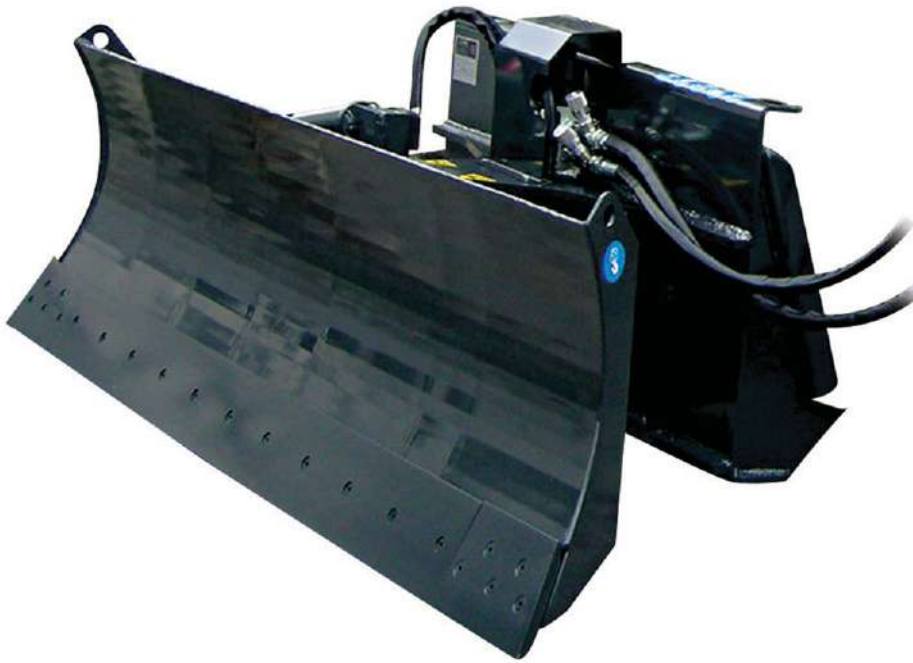


Technical Data



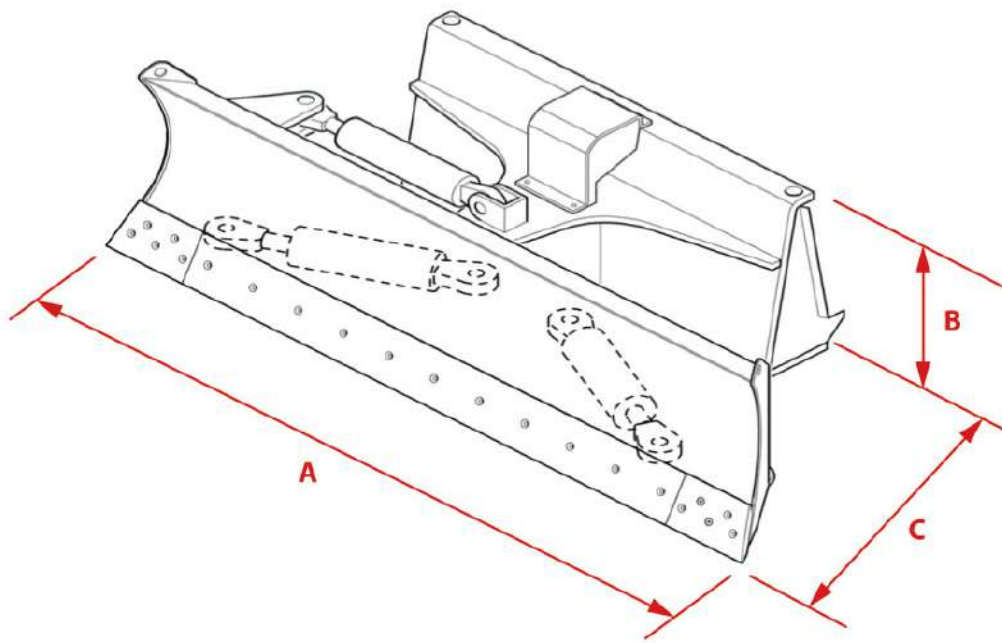
| | Code | A | B | C |  |
|---------|---------|--------------------|------------------|-------------------|--|
| BUD1166 | - | 1800 mm (70,9 in) | 700 mm (27,6 in) | 900 mm (35,4 in) | 280 kg (617 lb) |
| BUD1172 | - | 1800 mm (70,9 in) | 700 mm (27,6 in) | 900 mm (35,4 in) | 280 kg (617 lb) |
| BUD1217 | TGN0072 | 2700 mm (106,3 in) | 800 mm (31,5 in) | 900 mm (35,4 in) | 450 kg (992 lb) |
| BUD1196 | TGN0027 | 2400 mm (94,5 in) | 700 mm (27,6 in) | 900 mm (35,4 in) | 410 kg (904 lb) |
| BUD1179 | TGN0044 | 2100 mm (82,7 in) | 820 mm (32,3 in) | 1130 mm (44,5 in) | 480 kg (1058 lb) |
| BUD1180 | TGN0040 | 2100 mm (82,7 in) | 820 mm (32,3 in) | 1130 mm (44,5 in) | 480 kg (1058 lb) |


Tiltadozer blade



This blade is used to level the ground with absolute accuracy ensuring maximum productivity even in small spaces with double-acting cylinders for oscillation (TILT) and left-right hydraulic angle.

Technical Data



| | Code | A | B | C |  |
|---------|---------|-------------------|------------------|------------------|--|
| BUD1173 | - | 2100 mm (82,7 in) | 540 mm (21,3 in) | 820 mm (32,3 in) | 380 kg (838 lb) |
| BUD1174 | - | 2100 mm (82,7 in) | 540 mm (21,3 in) | 820 mm (32,3 in) | 380 kg (838 lb) |
| BUD1177 | TGN0045 | 2400 mm (94,5 in) | 540 mm (21,3 in) | 820 mm (32,3 in) | 420 kg (926 lb) |
| BUD1178 | TGN0038 | 2400 mm (94,5 in) | 540 mm (21,3 in) | 820 mm (32,3 in) | 420 kg (926 lb) |
| BUD1197 | TGN0028 | 2400 mm (94,5 in) | 540 mm (21,3 in) | 820 mm (32,3 in) | 420 kg (926 lb) |

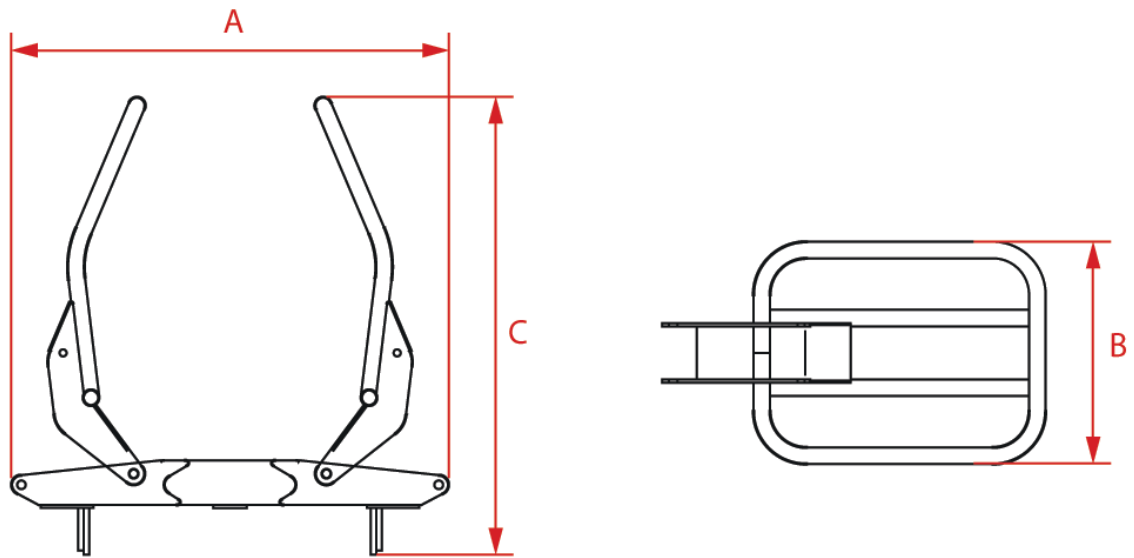
Grippers


Clamp for big wrapped bales



This clamp is designed to handle wrapped hay bales, the smooth and rounded tubular structure avoids damage to the protective film.

Technical Data



| | Code | A | B | C |  |
|---------|---------|-----------------|------------------|-------------------|--|
| BUD4027 | TGN0035 | 1574 mm (62 in) | 800 mm (31,5 in) | 1643 mm (64,7 in) | 247 kg (545 lb) |
| BUD4058 | TGN0017 | 1574 mm (62 in) | 800 mm (31,5 in) | 1643 mm (64,7 in) | 247 kg (545 lb) |
| BUD4075 | TGN0003 | 1574 mm (62 in) | 800 mm (31,5 in) | 1643 mm (64,7 in) | 247 kg (545 lb) |

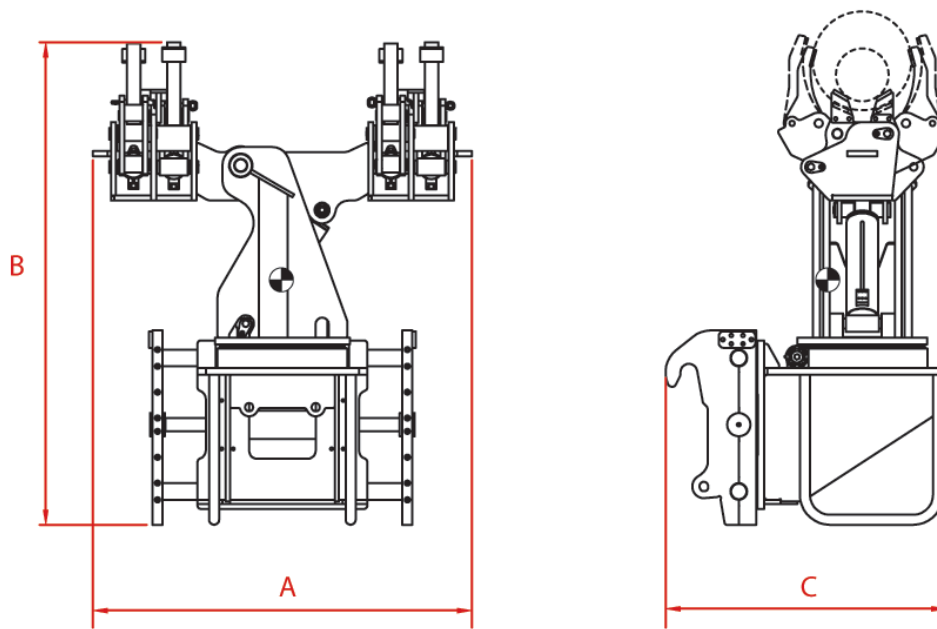
Gripper for cylinders




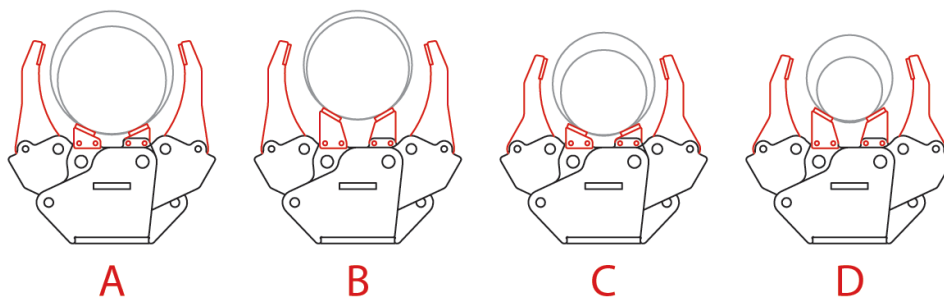
This clamp has been designed to handle various types of cylinders. The possibility of rotating and tilting makes it indispensable in maintenance operations of large machinery such as dumpers and mine excavators.



Technical Data



| | Code | A | B | C |  |
|---------|---------|-------------------|--------------------|-------------------|--|
| BUD4056 | TGN0068 | 2276 mm (89,6 in) | 2984 mm (117,5 in) | 1546 mm (60,9 in) | 4320 kg (9524 lb) |



| | | | | |
|---|--------------------|-------------------|-------------------|-------------------|
| A | ASM0000355 (Long) | ASM0000357 (Low) | 530 mm (20.86 in) | 600 mm (23.62 in) |
| B | ASM0000355 (Long) | ASM0000360 (High) | 530 mm (20.86 in) | 500 mm (19.68 in) |
| C | ASM0000356 (Short) | ASM0000357 (Low) | 500 mm (19.68 in) | 420 mm (16.53 in) |
| D | ASM0000356 (Short) | ASM0000360 (High) | 420 mm (16.53 in) | 320 mm (12.59 in) |

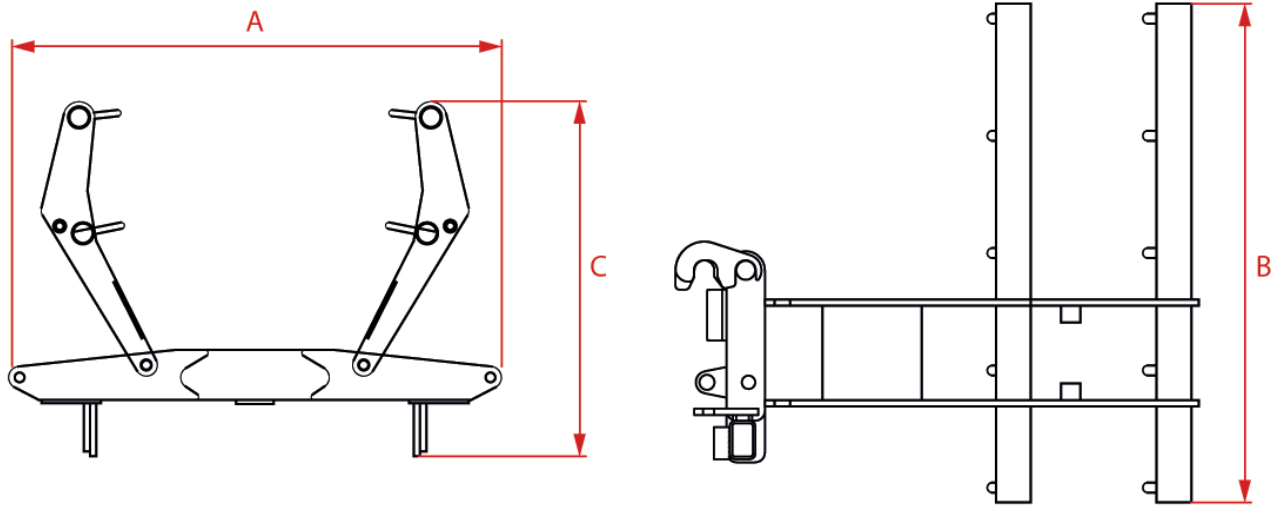
Grab clamp for two roll bales




This equipment has been designed to move one or two wrapped roll bales. The combination of the equipment functionality and the vehicle capacities makes it particularly useful for loading and unloading trailers.

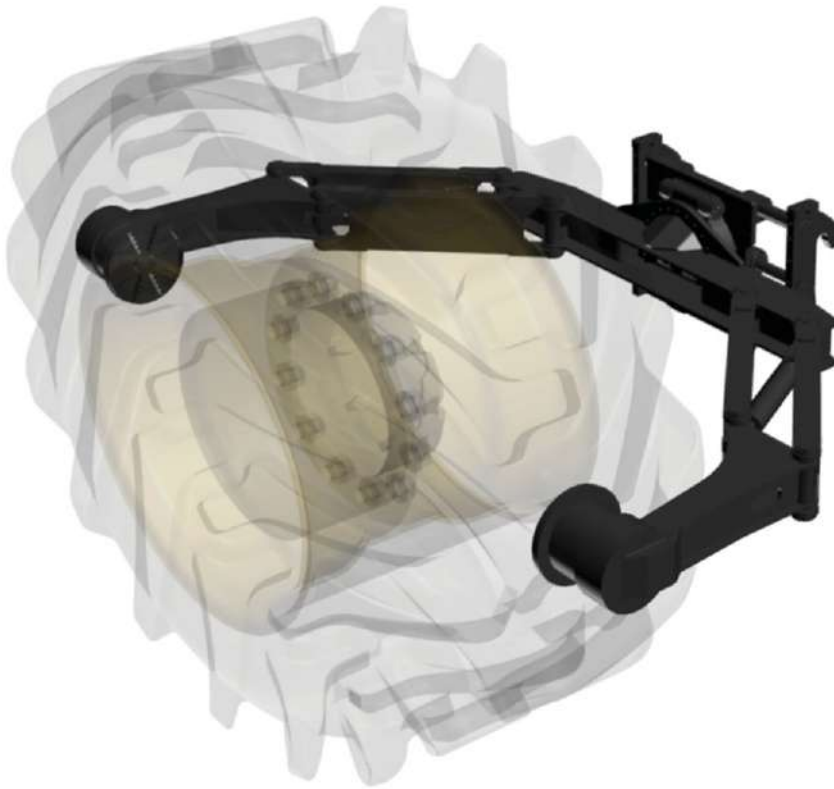


Technical Data



| | Code | A | B | C |  |
|---------|---------|-------------------|--------------------|-------------------|--|
| BUD4036 | TGN0034 | 2100 mm (82,7 in) | 1550 mm (61 in) | 951 mm (37,4 in) | 340 kg (750 lb) |
| BUD4056 | TGN0068 | 2276 mm (89,6 in) | 2984 mm (117,5 in) | 1546 mm (60,9 in) | 4320 kg (9524 lb) |
| BUD4057 | TGN0016 | 2100 mm (82,7 in) | 1550 mm (61 in) | 951 mm (37,4 in) | 340 kg (750 lb) |

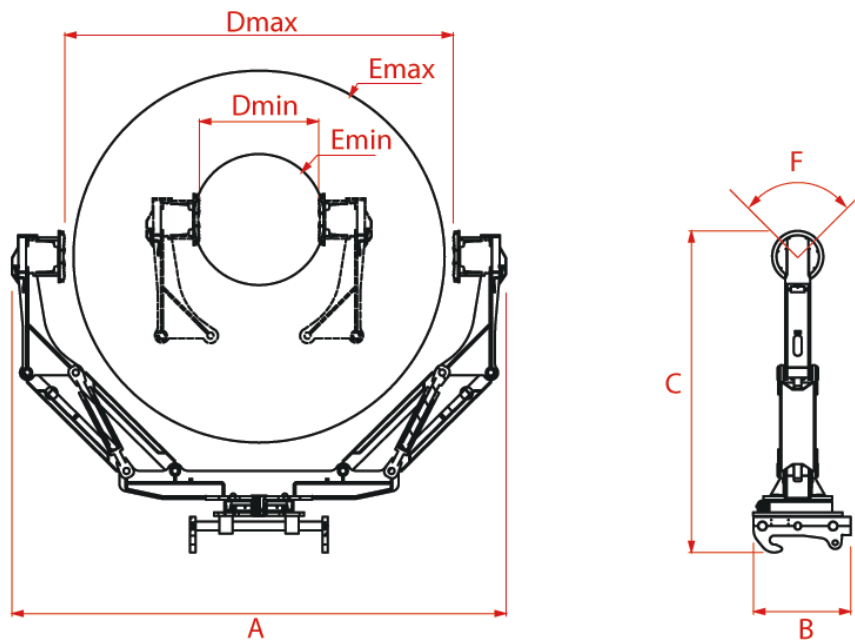
Gripper for tires



This gripper has been designed to handle various types of tires. The possibility of rotating and tilting makes it indispensable in maintenance operations of large machinery such as mine dumpers.



Technical Data



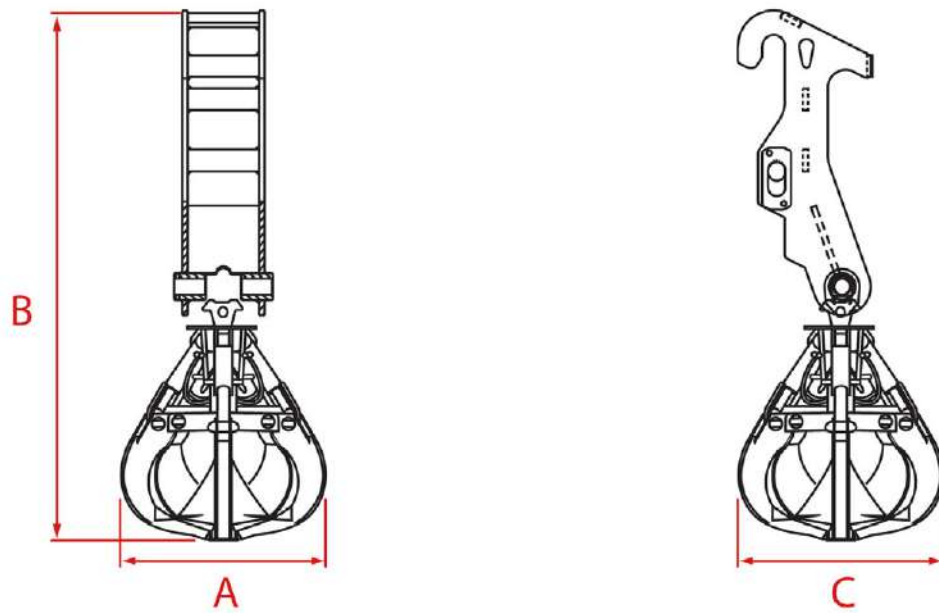
| | TGN0069 | 0 |
|---------------|--------------------|--------------------|
| A | 5594 mm (220,2 in) | 4144 mm (163,1 in) |
| B | 1100 mm (43,3 in) | 1156 mm (45,5 in) |
| C | 3632 mm (143 in) | 3592 mm (141,4 in) |
| Max D | 4398 mm (173.1 in) | 3558 mm (140.1 in) |
| Min D | 1480 mm (58.3 in) | 1458 mm (57.4 in) |
| Max E | 4200 mm (165.4 in) | 3400 mm (133.9 in) |
| Min E | 1340 mm (52.8 in) | 1300 mm (51.2 in) |
| F | 360° | 97° |
| Weight | 4680 kg (10318 lb) | 3350 kg (7385 lb) |



Orange-peel grabber



The orange-peel grabber is a hydraulic equipment suitable for handling loose materials such as scrap, urban waste, industrial waste, processing waste, boulders, paper, cardboard, plastic, wood and tires. Therefore it is mainly used in the recycling and disposal sector.

Technical Data



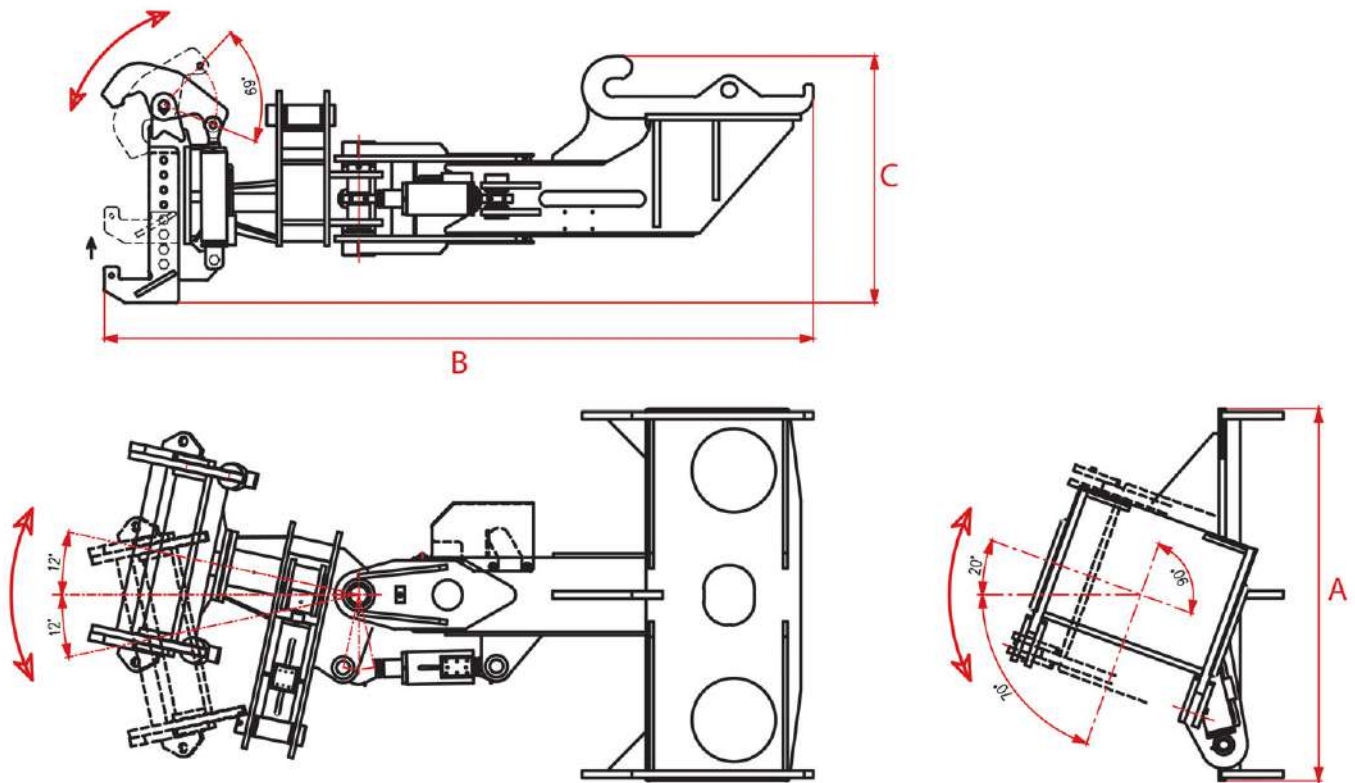
| | Code | A | B | C |  |  |
|---------|---------|-------------------|-------------------|-------------------|--|--|
| BUB2441 | TGN0023 | 1020 mm (40,2 in) | 1700 mm (66,9 in) | 1020 mm (40,2 in) | 0,23 m ³ (8 ft ³) | 330 kg (728 lb) |
| BUB2453 | TGN0057 | 1020 mm (40,2 in) | 1750 mm (68,9 in) | 1020 mm (40,2 in) | 0,23 m ³ (8 ft ³) | 300 kg (661 lb) |

Centring handler

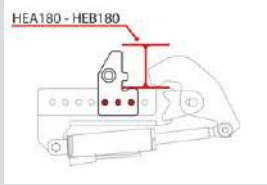
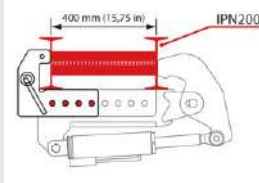
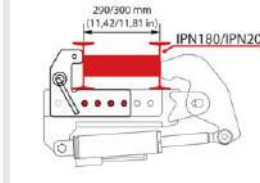
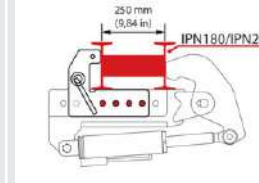
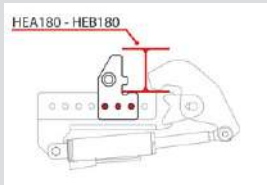
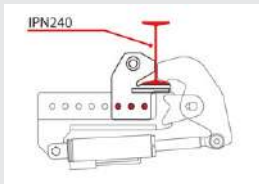
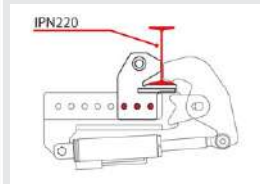
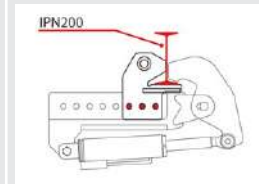
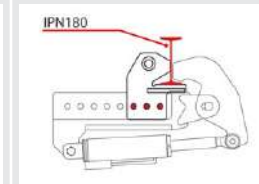
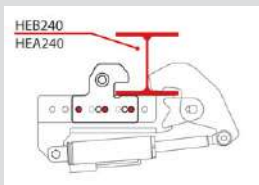
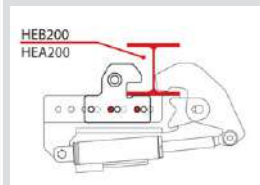
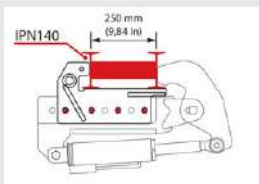
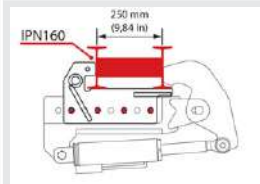
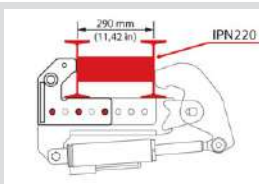
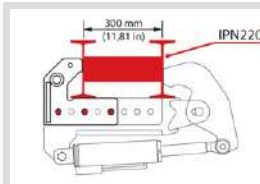
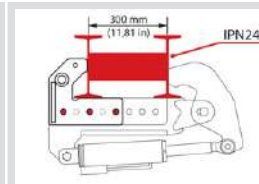
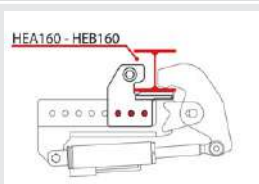
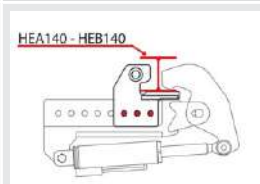


Equipment designed to position the centring arches that will form the tunnels supporting arches. The possibility of rotating and tilting maximizes the precision in laying operations. The centring handler can be adjusted to adapt to the various types of arches.

Technical Data



| | Code | | | | | |
|---------|---------|-------------------|-------------------|------------------|-------------------|------------------|
| BUD7009 | TGN0022 | 1250 mm (49,2 in) | 2385 mm (93,9 in) | 830 mm (32,7 in) | 3000 kg (6614 lb) | 795 kg (1753 lb) |
| BUD7012 | TGN0067 | 1250 mm (49,2 in) | 2385 mm (93,9 in) | 830 mm (32,7 in) | 4000 kg (8818 lb) | 795 kg (1753 lb) |

| Tooth | Type of centring arc to handle | | | |
|---------|---|---|--|--|
| BUD7006 |  | | | |
| BUD7007 |  |  |  | |
| BUD7011 |  | | | |
| BUD7031 |  |  |  |  |
| BUD7032 |  |  | | |
| BUD7033 |  |  | | |
| BUD7034 |  |  |  | |
| BUD7035 |  |  | | |

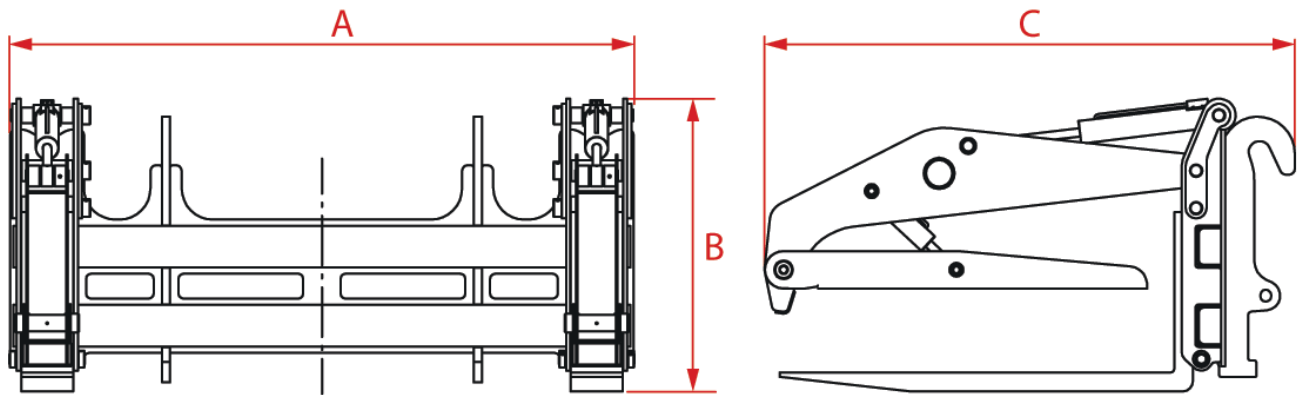
Gripper for pipe





Equipment designed to handle pipes of different lengths and sections. It is mainly used in the oil industry and environmental remediation.



Technical Data



| | Code | A | B | C |  |  |
|---------|---------|--------------------|-------------------|--------------------|--|--|
| BUD4052 | TGN0065 | 2996 mm (118 in) | 1406 mm (55,4 in) | 2480 mm (97,6 in) | 2370 kg (5225 lb) | 8000 kg (17637 lb) |
| BUD4074 | TGN0064 | 2996 mm (118 in) | 1406 mm (55,4 in) | 2480 mm (97,6 in) | 2370 kg (5225 lb) | 6000 kg (13228 lb) |
| BUD4077 | TGN0074 | 3000 mm (118,1 in) | 1390 mm (54,7 in) | 3084 mm (121,4 in) | 2480 kg (5467 lb) | 6000 kg (13228 lb) |
| BUD4098 | TGN0066 | 3000 mm (118,1 in) | 1390 mm (54,7 in) | 3084 mm (121,4 in) | 2480 kg (5467 lb) | 5000 kg (11023 lb) |

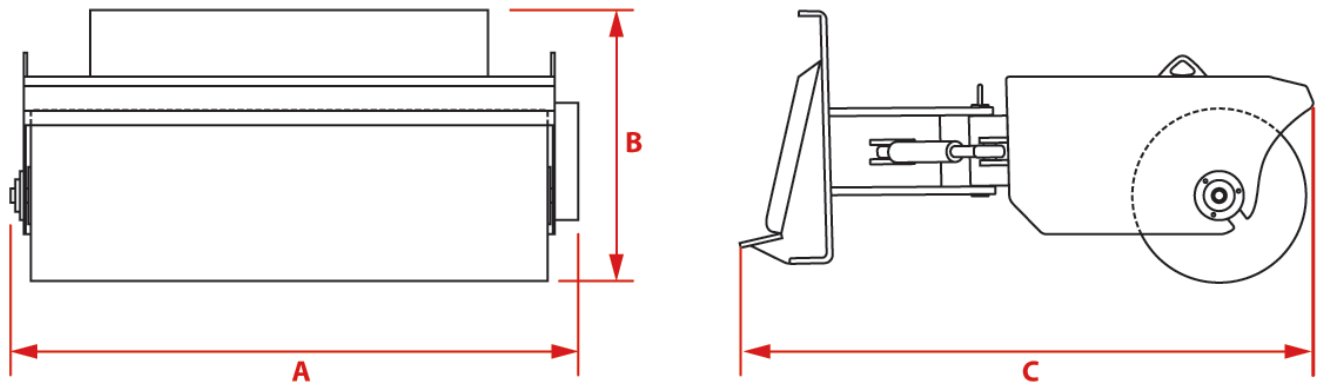
Special items





Angled sweeper



The angled sweeper can be used for cleaning construction sites, roads, large court areas or thanks to the mechanical angle system as a snowplow in case of light snow.

Technical Data



| | Code |  |  |  |  |
|---------|---------|--|--|--|--|
| BUD4064 | - | 1980 mm (78 in) | 762 mm (30 in) | 1272 mm (50,1 in) | 370 kg (816 lb) |
| BUD4065 | - | 1980 mm (78 in) | 762 mm (30 in) | 1272 mm (50,1 in) | 370 kg (816 lb) |
| BUD4072 | TGN0046 | 2280 mm (89,8 in) | 762 mm (30 in) | 1272 mm (50,1 in) | 410 kg (904 lb) |
| BUD4073 | TGN0041 | 2280 mm (89,8 in) | 762 mm (30 in) | 1272 mm (50,1 in) | 410 kg (904 lb) |
| BUD4091 | TGN0029 | 2280 mm (89,8 in) | 762 mm (30 in) | 1272 mm (50,1 in) | 420 kg (926 lb) |

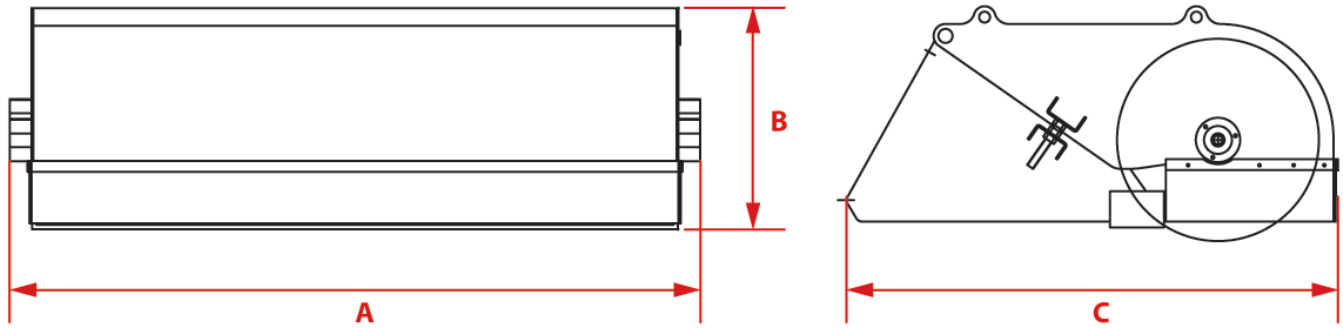
Sweeper box with collection




The sweeper box with collection can be used, thanks to its polypropylene brushes, for cleaning construction sites, roads, large areas of courts.

The use of the cutting edge makes it particularly suitable for scraping and collecting mud and debris from the ground.

Technical Data



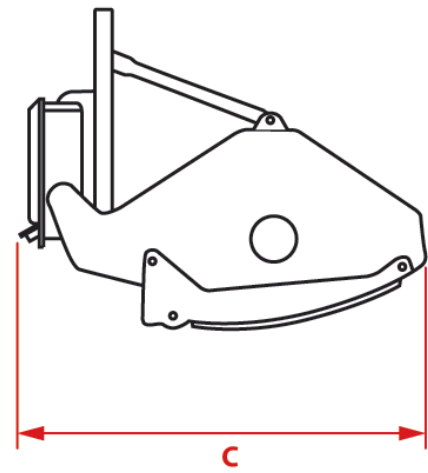
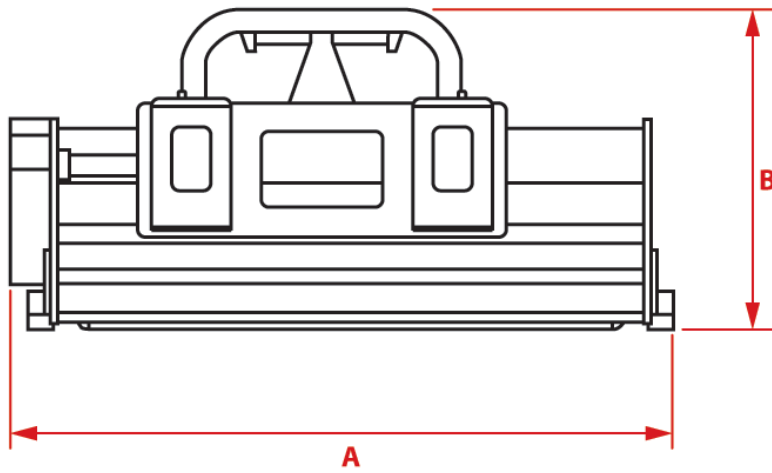
| | Code | A | B | C |  |
|---------|---------|-------------------|------------------|-------------------|--|
| BUD4061 | - | 1920 mm (75,6 in) | 612 mm (24,1 in) | 1363 mm (53,7 in) | 530 kg (1168 lb) |
| BUD4063 | - | 1920 mm (75,6 in) | 612 mm (24,1 in) | 1363 mm (53,7 in) | 530 kg (1168 lb) |
| BUD4081 | TGN0047 | 2220 mm (87,4 in) | 612 mm (24,1 in) | 1363 mm (53,7 in) | 590 kg (1301 lb) |
| BUD4082 | TGN0042 | 2220 mm (87,4 in) | 612 mm (24,1 in) | 1363 mm (53,7 in) | 590 kg (1301 lb) |
| BUD4090 | TGN0030 | 2220 mm (87,4 in) | 612 mm (24,1 in) | 1363 mm (53,7 in) | 590 kg (1301 lb) |


Front shredder



This equipment stands out for its versatility of use, it is suitable for cutting grass, for cutting small shoots in vineyards or orchards and for cleaning the undergrowth.

Technical Data



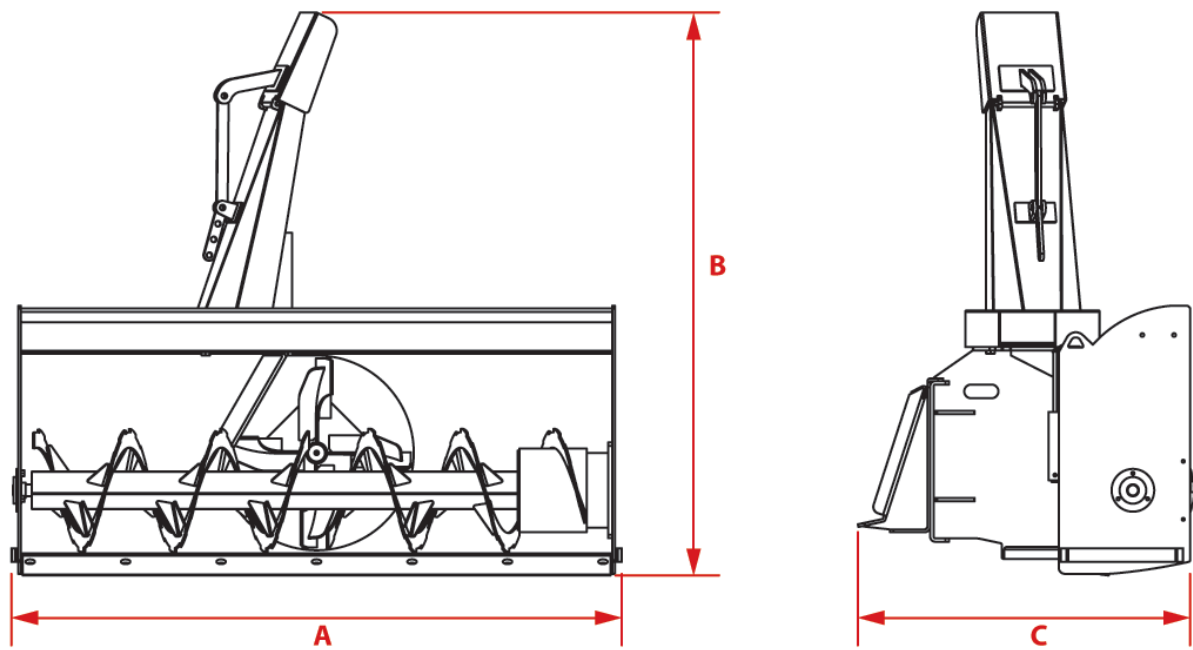
| | Code | A | B | C |  |
|---------|---------|-------------------|----------------|-------------------|--|
| BUD4066 | - | 1900 mm (74,8 in) | 890 mm (35 in) | 1080 mm (42,5 in) | 460 kg (1014 lb) |
| BUD4067 | - | 1900 mm (74,8 in) | 890 mm (35 in) | 1080 mm (42,5 in) | 460 kg (1014 lb) |
| BUD4085 | TGN0052 | 2100 mm (82,7 in) | 890 mm (35 in) | 1080 mm (42,5 in) | 510 kg (1124 lb) |
| BUD4086 | TGN0053 | 2100 mm (82,7 in) | 890 mm (35 in) | 1080 mm (42,5 in) | 510 kg (1124 lb) |
| BUD4094 | TGN0033 | 2300 mm (90,6 in) | 890 mm (35 in) | 1080 mm (42,5 in) | 560 kg (1235 lb) |


Two-stage turbine snow blower



This equipment has been designed for the removing large quantities of snow. The adoption of a hydraulic piston motor with torque limiter prevents the possibility of breakage due to accidental inlet of objects hidden in the snow. The notched ice-breaking propellers minimize wear caused by gravel and stones mixed with snow. The snow exit duct is equipped with mechanically adjustable flaps.

Technical Data



| | Code | A | B | C |  |
|---------|---------|-------------------|-----------------|----------------|--|
| BUD4068 | TGN0048 | 2100 mm (82,7 in) | 1650 mm (65 in) | 990 mm (39 in) | 890 kg (1962 lb) |
| BUD4069 | TGN0049 | 2100 mm (82,7 in) | 1650 mm (65 in) | 990 mm (39 in) | 890 kg (1962 lb) |
| BUD4092 | TGN0031 | 2300 mm (90,6 in) | 1650 mm (65 in) | 990 mm (39 in) | 950 kg (2094 lb) |

Lifting equipment

Winches

Winch for forks holding plate

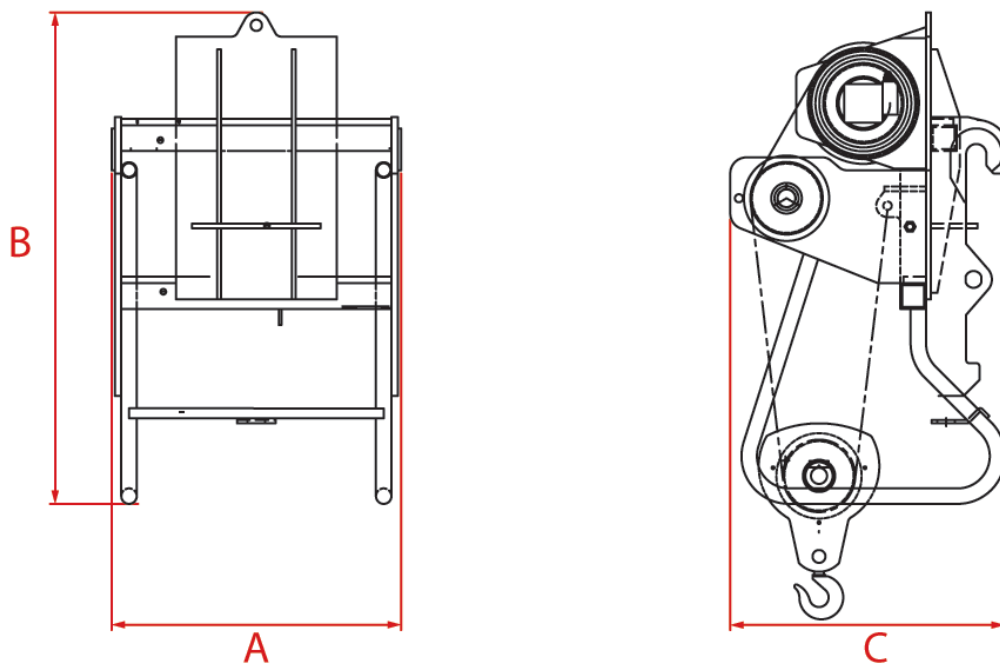


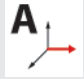





This equipment has been designed for lifting, transport and positioning suspended loads.

The block is equipped with a 360° swivel hook with locking tab.



Technical Data



| | Code |  |  |  |  |  |  |
|---------|---------|--|--|--|--|--|--|
| BUD4470 | TSL0066 | 1302 mm (51,3 in) | 1790 mm (70,5 in) | 1927 mm (75,9 in) | Double, with rope guide | 8000 kg (17637 lb) | 1150 kg (2535 lb) |
| BUD4475 | TSL0037 | 900 mm (35,4 in) | 1460 mm (57,5 in) | 960 mm (37,8 in) | Double, with rope guide | 3000 kg (6614 lb) | 410 kg (904 lb) |
| BUD4476 | TSL0030 | 890 mm (35 in) | 1540 mm (60,6 in) | 1100 mm (43,3 in) | Double, with rope guide | 4000 kg (8818 lb) | 490 kg (1080 lb) |
| BUD4507 | TSL0005 | 900 mm (35,4 in) | 1460 mm (57,5 in) | 960 mm (37,8 in) | Double, with rope guide | 3000 kg (6614 lb) | 410 kg (904 lb) |
| BUD4508 | TSL0010 | 900 mm (35,4 in) | 1525 mm (60 in) | 855 mm (33,7 in) | Double, with rope guide | 4000 kg (8818 lb) | 490 kg (1080 lb) |
| BUD4515 | TSL0015 | 900 mm (35,4 in) | 1460 mm (57,5 in) | 960 mm (37,8 in) | Double, with rope guide | 3000 kg (6614 lb) | 410 kg (904 lb) |
| BUD4516 | TSL0016 | 900 mm (35,4 in) | 1525 mm (60 in) | 855 mm (33,7 in) | Double, with rope guide | 4000 kg (8818 lb) | 490 kg (1080 lb) |
| BUD4517 | TSL0017 | 900 mm (35,4 in) | 1525 mm (60 in) | 845 mm (33,3 in) | Double, with rope guide | 5000 kg (11023 lb) | 490 kg (1080 lb) |
| BUD4540 | TSL0055 | 900 mm (35,4 in) | 1460 mm (57,5 in) | 960 mm (37,8 in) | Double, with rope guide | 3000 kg (6614 lb) | 410 kg (904 lb) |
| BUD4541 | TSL0056 | 900 mm (35,4 in) | 1525 mm (60 in) | 855 mm (33,7 in) | Double, with rope guide | 4000 kg (8818 lb) | 490 kg (1080 lb) |
| BUD4550 | TSL0070 | 900 mm (35,4 in) | 1525 mm (60 in) | 845 mm (33,3 in) | Double, with rope guide | 5000 kg (11023 lb) | 490 kg (1080 lb) |
| BUD4562 | TSL0057 | 900 mm (35,4 in) | 1525 mm (60 in) | 845 mm (33,3 in) | Double, with rope guide | 5000 kg (11023 lb) | 490 kg (1080 lb) |

Crane extension with winch



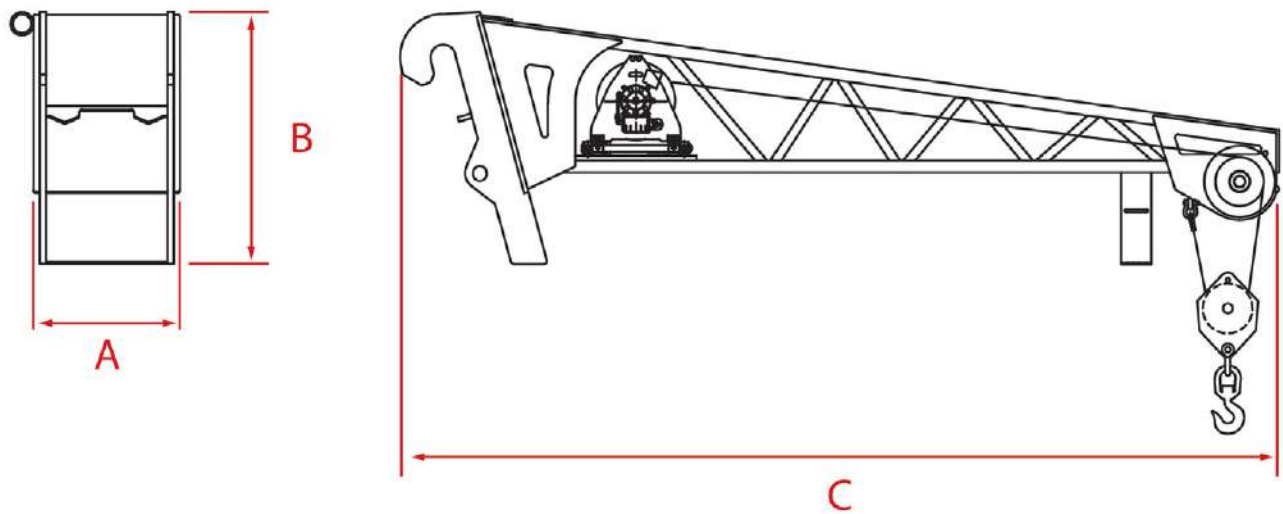
This equipment has been designed for lifting, transport and positioning suspended loads.

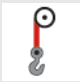


The jib crane structure helps to contain the weight of the equipment while maintaining excellent rigidity.

The block is equipped with a 360° swivel hook with locking tab.



Technical Data



| | Code | A | B | C |  |  |  |
|---------|---------|---------------------|----------------------|-----------------------|---|---|---|
| BUD4548 | TSL0071 | 550 mm (21,7 in) | 1200 mm (47,2 in) | 3000 mm (118,1 in) | Double | 1500 kg (3307 lb) | 430 kg (948 lb) |
| BUD4546 | TSL0060 | 556 mm (21,9 in) | 825 mm (32,5 in) | 2850 mm (112,2 in) | Double | 1200 kg (2646 lb) | 350 kg (772 lb) |
| BUD4528 | TSL0053 | 626 mm (24,6 in) | 917 mm (36,1 in) | 4975 mm (195,9 in) | Double | 600 kg (1323 lb) | 360 kg (794 lb) |
| BUD4532 | TSL0051 | 556 mm (21,9 in) | 825 mm (32,5 in) | 2850 mm (112,2 in) | Double | 1200 kg (2646 lb) | 350 kg (772 lb) |
| BUD4529 | TSL0049 | 480 mm (18,9 in) | 825 mm (32,5 in) | 1637 mm (64,4 in) | Double | 2000 kg (4409 lb) | 290 kg (639 lb) |
| BUD4520 | TSL0041 | 776 mm (30,6 in) | 825 mm (32,5 in) | 2824 mm (111,2 in) | Double | 1100 kg (2425 lb) | 250 kg (551 lb) |
| BUD4518 | TSL0039 | 776 mm (30,6 in) | 825 mm (32,5 in) | 1636 mm (64,4 in) | Double | 1800 kg (3968 lb) | 200 kg (441 lb) |
| BUD4454 | TSL0035 | 720 mm (28,3 in) | 1000 mm (39,4 in) | 5050 mm (198,8 in) | Double | 600 kg (1323 lb) | 415 kg (915 lb) |
| BUD4452 | TSL0033 | 556 mm (21,9 in) | 825 mm (32,5 in) | 2569 mm (101,1 in) | Double | 1200 kg (2646 lb) | 315 kg (694 lb) |
| BUD4474 | TSL0031 | 640 mm (25,2 in) | 900 mm (35,4 in) | 1750 mm (68,9 in) | Double | 2000 kg (4409 lb) | 284 kg (626 lb) |
| BUD4560 | TSL0013 | 556 mm (21,9 in) | 825 mm (32,5 in) | 2850 mm (112,2 in) | Double | 1200 kg (2646 lb) | 350 kg (772 lb) |
| BUD4509 | TSL0011 | 640 mm (25,2 in) | 900 mm (35,4 in) | 1750 mm (68,9 in) | Double | 2000 kg (4409 lb) | 284 kg (626 lb) |
| BUD4505 | TSL0008 | 626 mm (24,6 in) | 917 mm (36,1 in) | 4975 mm (195,9 in) | Double | 600 kg (1323 lb) | 360 kg (794 lb) |

Hooks

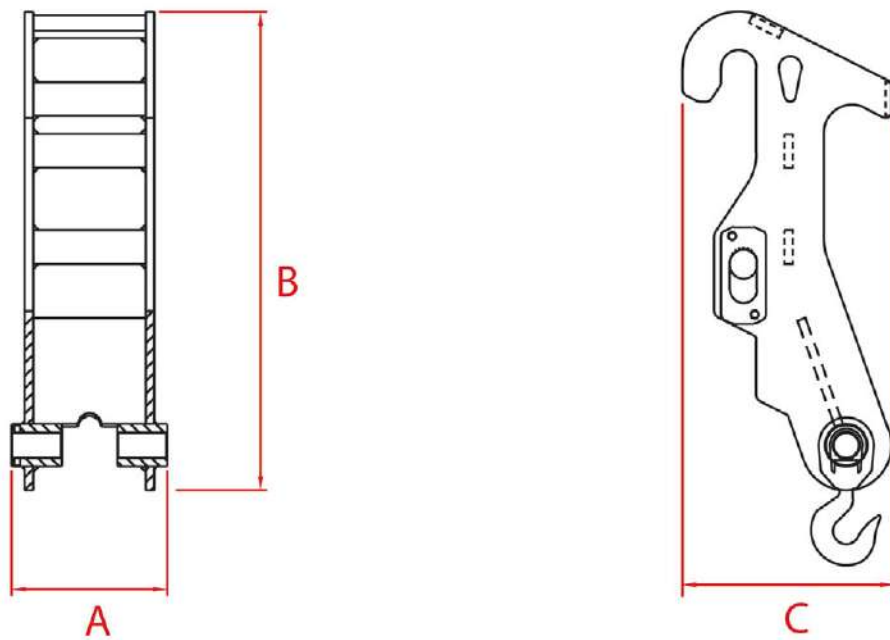
Hook for forks holding plate




This equipment has been designed to handle suspended loads in total safety thanks to the sturdy structure and the 360° rotating hook with locking tab.



Technical Data



| | Code | A | B | C |  |
|---------|---------|-------------------|--------------------|--------------------|--|
| BUB2448 | TSL0007 | 277 mm (10,9 in) | 850 mm (33,5 in) | 376,5 mm (14,8 in) | 60 kg (132 lb) |
| BUB2449 | TSL0019 | 334 mm (13,1 in) | 861,5 mm (33,9 in) | 386,5 mm (15,2 in) | 82 kg (181 lb) |
| BUB2631 | TSL0045 | 1200 mm (47,2 in) | 907 mm (35,7 in) | 440 mm (17,3 in) | 170 kg (375 lb) |
| BUB2632 | TSL0046 | 1050 mm (41,3 in) | 895 mm (35,2 in) | 434 mm (17,1 in) | 120 kg (265 lb) |
| BUB2516 | TSL0067 | 1550 mm (61 in) | 925 mm (36,4 in) | 1020 mm (40,2 in) | 575 kg (1268 lb) |
| BUB2517 | TSL0068 | 1550 mm (61 in) | 925 mm (36,4 in) | 1020 mm (40,2 in) | 575 kg (1268 lb) |

Crane extension with hook



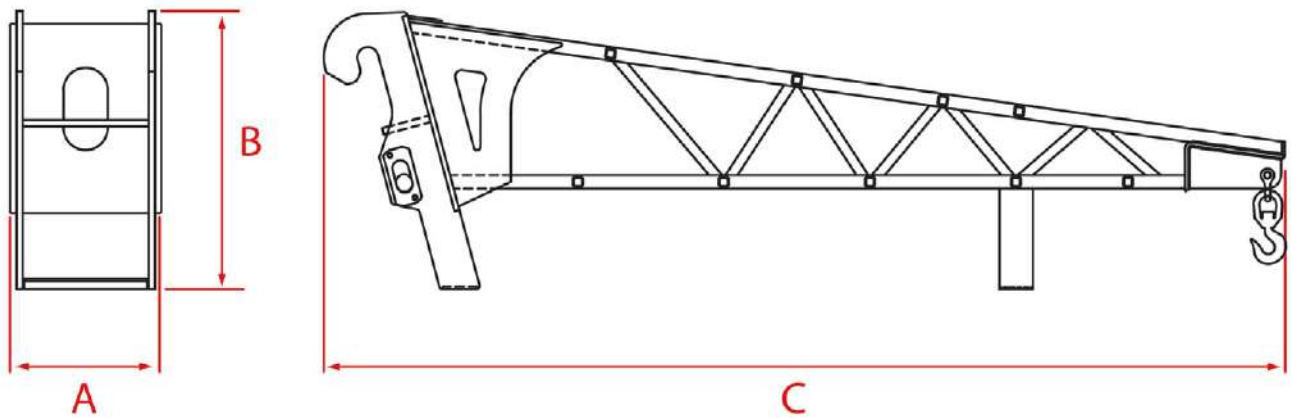
This equipment has been designed for lifting, transport and positioning suspended loads.






The jib crane structure helps to contain the weight of the equipment while maintaining excellent rigidity.

The 360° swivel hook with locking tab and the standard load limiter ensure maximum safety.



Technical Data



| | Code |  |  |  |  |  |
|---------|---------|---|---|--|---|---|
| BUD4502 | TSL0002 | 650 mm (25,6 in) | 870 mm (34,3 in) | 1500 mm (59,1 in) | 2000 kg (4409 lb) | 160 kg (353 lb) |
| BUD4504 | TSL0004 | 640 mm (25,2 in) | 870 mm (34,3 in) | 2850 mm (112,2 in) | 1200 kg (2646 lb) | 182 kg (401 lb) |
| BUD4506 | TSL0009 | 730 mm (28,7 in) | 950 mm (37,4 in) | 5000 mm (196,9 in) | 600 kg (1323 lb) | 260 kg (573 lb) |
| BUD4510 | TSL0012 | 480 mm (18,9 in) | 825 mm (32,5 in) | 1648 mm (64,9 in) | 2000 kg (4409 lb) | 150 kg (331 lb) |
| BUD4512 | TSL0014 | 480 mm (18,9 in) | 825 mm (32,5 in) | 2848 mm (112,1 in) | 1200 kg (2646 lb) | 162 kg (357 lb) |
| BUD4482 | TSL0032 | 640 mm (25,2 in) | 850 mm (33,5 in) | 1650 mm (65 in) | 2000 kg (4409 lb) | 142 kg (313 lb) |
| BUD4483 | TSL0034 | 640 mm (25,2 in) | 870 mm (34,3 in) | 2850 mm (112,2 in) | 1200 kg (2646 lb) | 168 kg (370 lb) |
| BUD4484 | TSL0036 | 730 mm (28,7 in) | 950 mm (37,4 in) | 5000 mm (196,9 in) | 600 kg (1323 lb) | 252 kg (556 lb) |
| BUD4519 | TSL0040 | 700 mm (27,6 in) | 864 mm (34 in) | 1648 mm (64,9 in) | 1800 kg (3968 lb) | 162 kg (357 lb) |
| BUD4521 | TSL0042 | 700 mm (27,6 in) | 864 mm (34 in) | 2821 mm (111,1 in) | 1100 kg (2425 lb) | 185 kg (408 lb) |
| BUD4487 | TSL0050 | 480 mm (18,9 in) | 825 mm (32,5 in) | 1648 mm (64,9 in) | 2000 kg (4409 lb) | 170 kg (375 lb) |
| BUD4491 | TSL0054 | 550 mm (21,7 in) | 917 mm (36,1 in) | 5000 mm (196,9 in) | 600 kg (1323 lb) | 245 kg (540 lb) |
| BUD4439 | TSL0064 | 1550 mm (61 in) | 1170 mm (46,1 in) | 2965 mm (116,7 in) | 4000 kg (8818 lb) | 895 kg (1973 lb) |
| BUD4410 | TSL0065 | 1150 mm (45,3 in) | 1550 mm (61 in) | 2965 mm (116,7 in) | 6000 kg (13228 lb) | 920 kg (2028 lb) |

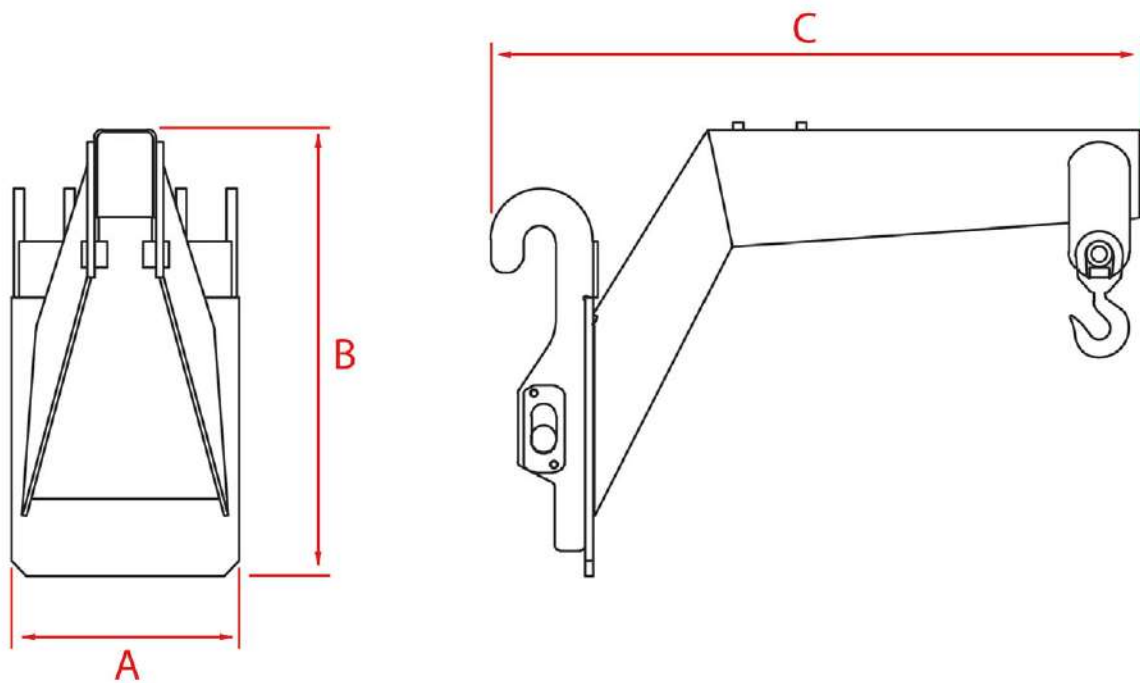
Jib with hook








This equipment has been designed to handle heavy and cantilever loads.

Equipped with 360° rotating hook and load limiter, it is particularly suitable for the nursery sector.

Technical Data



| | Code |  |  |  |  |  |
|---------|---------|--|--|---|--|--|
| BUD4496 | TSL0006 | 460 mm (18,1 in) | 700 mm (27,6 in) | 1320 mm (52 in) | 2500 kg (5512 lb) | 162 kg (357 lb) |
| BUD4497 | TSL0043 | 700 mm (27,6 in) | 798 mm (31,4 in) | 1301 mm (51,2 in) | 2000 kg (4409 lb) | 140 kg (309 lb) |
| BUD4498 | TSL0018 | 450 mm (17,7 in) | 930 mm (36,6 in) | 1297 mm (51,1 in) | 3000 kg (6614 lb) | 160 kg (353 lb) |
| BUD4499 | TSL0020 | 481 mm (18,9 in) | 880 mm (34,6 in) | 1697 mm (66,8 in) | 3000 kg (6614 lb) | 180 kg (397 lb) |
| BUD4479 | TSL0038 | 460 mm (18,1 in) | 700 mm (27,6 in) | 1320 mm (52 in) | 2500 kg (5512 lb) | 162 kg (357 lb) |
| BUD4494 | TSL0058 | 450 mm (17,7 in) | 930 mm (36,6 in) | 1297 mm (51,1 in) | 3000 kg (6614 lb) | 160 kg (353 lb) |

Baskets

Front baskets

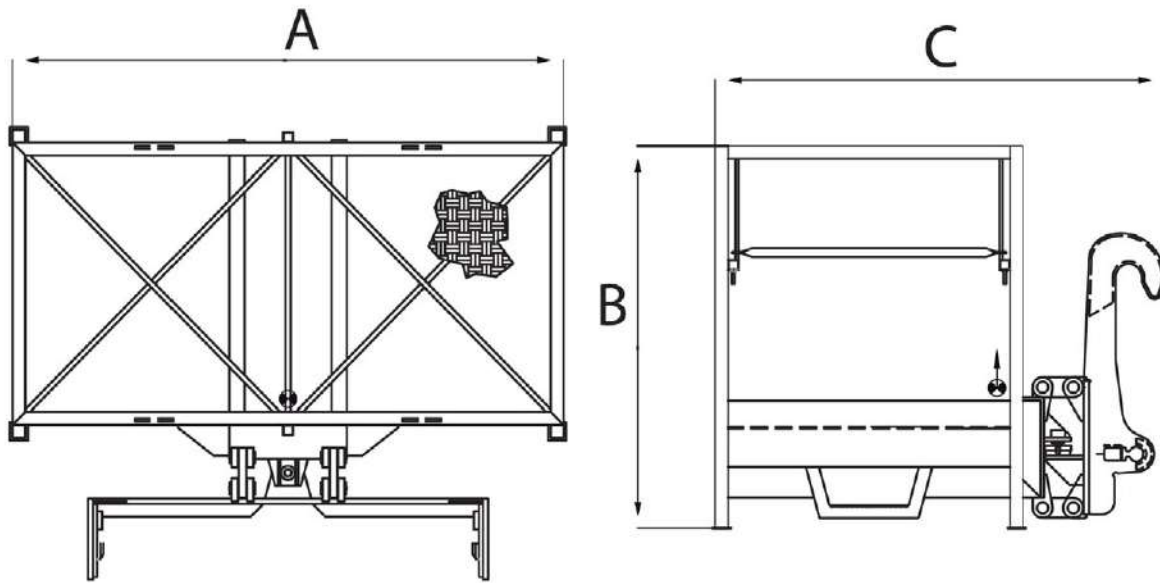
Front Basket



Front basket suitable to transport people and materials.



Technical Data



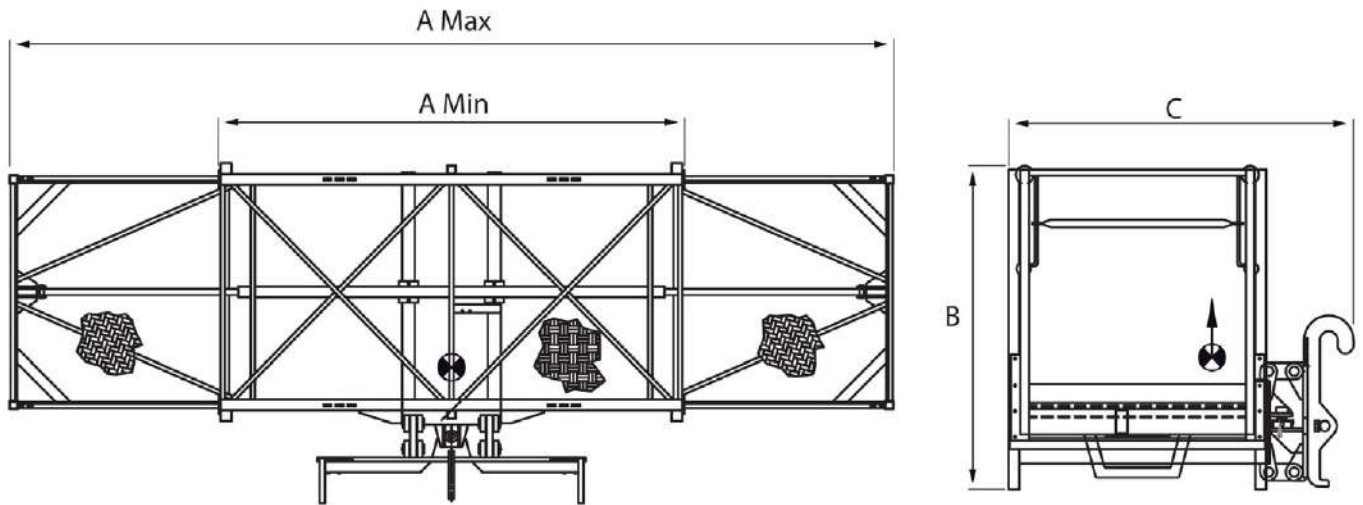
| | Code | A | B | C | A | C | Person | Icon | Icon |
|---------|---------|----------------------|----------------------|----------------------|----------------------|----------------------|--------|----------------------|---------------------|
| BUD6416 | TCS0022 | 2150 mm (84,6 in) | 1490 mm (58,7 in) | 1663 mm (65,5 in) | 2150 mm (84,6 in) | 1200 mm (47,2 in) | 3 | 300 kg (661 lb) | 405 kg (893 lb) |
| BUD6417 | TCS0005 | 2150 mm (84,6 in) | 1490 mm (58,7 in) | 1663 mm (65,5 in) | 2150 mm (84,6 in) | 1200 mm (47,2 in) | 3 | 300 kg (661 lb) | 405 kg (893 lb) |
| BUD6445 | TCS0001 | 1540 mm (60,6 in) | 1313 mm (51,7 in) | 995 mm (39,2 in) | 1400 mm (55,1 in) | 700 mm (27,6 in) | 2 | 200 kg (441 lb) | 110 kg (243 lb) |
| BUD6448 | TCS0004 | 2150 mm (84,6 in) | 1490 mm (58,7 in) | 1663 mm (65,5 in) | 2150 mm (84,6 in) | 1200 mm (47,2 in) | 3 | 300 kg (661 lb) | 405 kg (893 lb) |
| BUD6465 | TCS0003 | 2150 mm (84,6 in) | 1490 mm (58,7 in) | 1653 mm (65,1 in) | 2150 mm (84,6 in) | 1200 mm (47,2 in) | 3 | 300 kg (661 lb) | 405 kg (893 lb) |
| BUD6466 | TCS0044 | 1540 mm (60,6 in) | 1313 mm (51,7 in) | 975 mm (38,4 in) | 1400 mm (55,1 in) | 700 mm (27,6 in) | 2 | 200 kg (441 lb) | 125 kg (276 lb) |
| BUD6469 | TCS0050 | 2150 mm (84,6 in) | 1490 mm (58,7 in) | 1653 mm (65,1 in) | 2150 mm (84,6 in) | 1200 mm (47,2 in) | 3 | 300 kg (661 lb) | 405 kg (893 lb) |
| BUD6470 | TCS0051 | 2150 mm (84,6 in) | 1490 mm (58,7 in) | 1653 mm (65,1 in) | 2150 mm (84,6 in) | 1200 mm (47,2 in) | 3 | 300 kg (661 lb) | 405 kg (893 lb) |
| BUD6485 | TCS0017 | 2150 mm (84,6 in) | 1490 mm (58,7 in) | 1653 mm (65,1 in) | 2150 mm (84,6 in) | 1200 mm (47,2 in) | 3 | 300 kg (661 lb) | 405 kg (893 lb) |
| BUD6492 | TCS0069 | 2150 mm (84,6 in) | 1490 mm (58,7 in) | 1653 mm (65,1 in) | 2150 mm (84,6 in) | 1200 mm (47,2 in) | 3 | 300 kg (661 lb) | 405 kg (893 lb) |
| BUD6494 | TCS0066 | 2150 mm (84,6 in) | 1490 mm (58,7 in) | 1753 mm (69 in) | 2150 mm (84,6 in) | 1200 mm (47,2 in) | 3 | 1000 kg (2205 lb) | 537 kg (1184 lb) |
| BUD6495 | TCS0071 | 2150 mm (84,6 in) | 1490 mm (58,7 in) | 1753 mm (69 in) | 2150 mm (84,6 in) | 1200 mm (47,2 in) | 3 | 1000 kg (2205 lb) | 537 kg (1184 lb) |

Extensible Front basket



Extensible front basket hydraulically suitable for transporting people and materials.

Technical Data



| | Code | A | B | C | A | A ^{max} | C | | | | |
|---------|---------|----------------------|----------------------|----------------------|----------------------|-----------------------|----------------------|-----------|---|--------------------|---------------------|
| BUD6450 | TCS0006 | 2410 mm (94,9 in) | 1490 mm (58,7 in) | 1587 mm (62,5 in) | 2400 mm (94,5 in) | 4120 mm (162,2 in) | 1200 mm (47,2 in) | Hydraulic | 3 | 300 kg (661 lb) | 525 kg (1157 lb) |
| BUD6419 | TCS0007 | 2410 mm (94,9 in) | 1490 mm (58,7 in) | 1587 mm (62,5 in) | 2400 mm (94,5 in) | 4120 mm (162,2 in) | 1200 mm (47,2 in) | Hydraulic | 3 | 300 kg (661 lb) | 525 kg (1157 lb) |
| BUD6486 | TCS0018 | 2410 mm (94,9 in) | 1490 mm (58,7 in) | 1607 mm (63,3 in) | 2400 mm (94,5 in) | 4120 mm (162,2 in) | 1200 mm (47,2 in) | Hydraulic | 3 | 300 kg (661 lb) | 525 kg (1157 lb) |
| BUD6418 | TCS0024 | 2410 mm (94,9 in) | 1490 mm (58,7 in) | 1587 mm (62,5 in) | 2400 mm (94,5 in) | 4120 mm (162,2 in) | 1200 mm (47,2 in) | Hydraulic | 3 | 300 kg (661 lb) | 525 kg (1157 lb) |
| BUD6471 | TCS0052 | 2410 mm (94,9 in) | 1490 mm (58,7 in) | 1607 mm (63,3 in) | 2400 mm (94,5 in) | 4120 mm (162,2 in) | 1200 mm (47,2 in) | Hydraulic | 3 | 300 kg (661 lb) | 525 kg (1157 lb) |
| BUD6472 | TCS0053 | 2410 mm (94,9 in) | 1490 mm (58,7 in) | 1607 mm (63,3 in) | 2400 mm (94,5 in) | 4120 mm (162,2 in) | 1200 mm (47,2 in) | Hydraulic | 3 | 300 kg (661 lb) | 525 kg (1157 lb) |

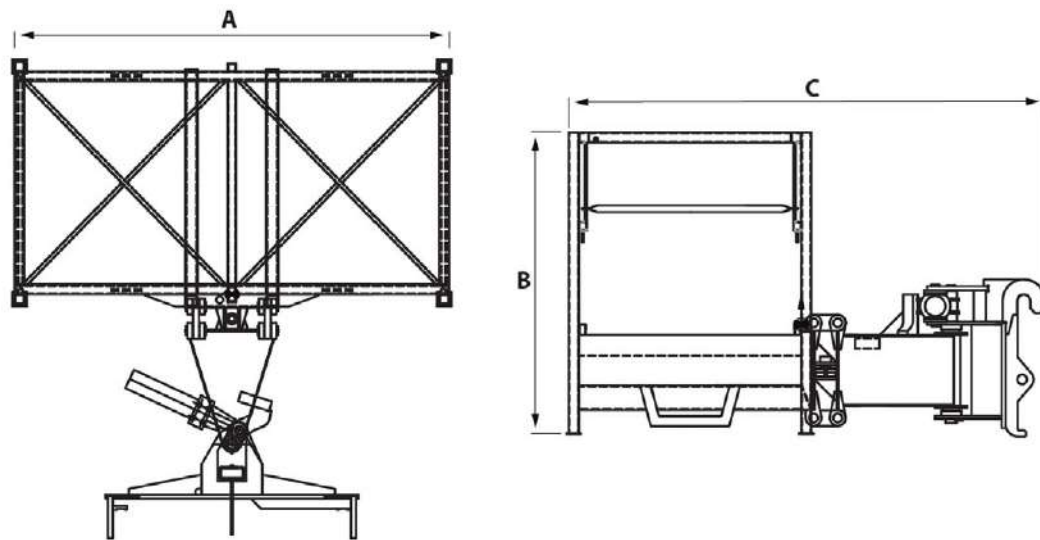
Trilateral baskets









Trilateral Basket

Trilateral hydraulic rotation basket suitable for transporting people and materials at height.



Technical Data



| | Code |  |  |  |  |  |  |  |  |
|---------|---------|---|---|---|---|---|---|---|---|
| BUD6452 | TCS0008 | 2150 mm (84,6 in) | 1490 mm (58,7 in) | 2357 mm (92,8 in) | 2150 mm (84,6 in) | 1200 mm (47,2 in) | 3 | 300 kg (661 lb) | 550 kg (1213 lb) |
| BUD6453 | - | 2150 mm (84,6 in) | 1490 mm (58,7 in) | 2357 mm (92,8 in) | 2150 mm (84,6 in) | 1200 mm (47,2 in) | 3 | 300 kg (661 lb) | 550 kg (1213 lb) |
| BUD6487 | TCS0019 | 2150 mm (84,6 in) | 1490 mm (58,7 in) | 2373 mm (93,4 in) | 2150 mm (84,6 in) | 1200 mm (47,2 in) | 3 | 300 kg (661 lb) | 550 kg (1213 lb) |
| BUD6422 | TCS0026 | 2150 mm (84,6 in) | 1490 mm (58,7 in) | 2357 mm (92,8 in) | 2150 mm (84,6 in) | 1200 mm (47,2 in) | 3 | 300 kg (661 lb) | 550 kg (1213 lb) |
| BUD6420 | TCS0047 | 2150 mm (84,6 in) | 1490 mm (58,7 in) | 2552 mm (100,5 in) | 2150 mm (84,6 in) | 1200 mm (47,2 in) | 3 | 1000 kg (2205 lb) | 700 kg (1543 lb) |
| BUD6421 | TCS0048 | 2150 mm (84,6 in) | 1490 mm (58,7 in) | 2552 mm (100,5 in) | 2150 mm (84,6 in) | 1200 mm (47,2 in) | 3 | 1000 kg (2205 lb) | 700 kg (1543 lb) |
| BUD6473 | TCS0054 | 2150 mm (84,6 in) | 1490 mm (58,7 in) | 1663 mm (65,5 in) | 2150 mm (84,6 in) | 1200 mm (47,2 in) | 3 | 300 kg (661 lb) | 405 kg (893 lb) |
| BUD6474 | TCS0055 | 2150 mm (84,6 in) | 1490 mm (58,7 in) | 2373 mm (93,4 in) | 2150 mm (84,6 in) | 1200 mm (47,2 in) | 3 | 300 kg (661 lb) | 550 kg (1213 lb) |
| BUD6477 | TCS0058 | 2150 mm (84,6 in) | 1500 mm (59,1 in) | 2552 mm (100,5 in) | 2050 mm (80,7 in) | 1000 mm (39,4 in) | 3 | 800 kg (1764 lb) | 685 kg (1510 lb) |
| BUD6478 | TCS0059 | 2150 mm (84,6 in) | 1500 mm (59,1 in) | 2552 mm (100,5 in) | 2050 mm (80,7 in) | 1000 mm (39,4 in) | 3 | 800 kg (1764 lb) | 685 kg (1510 lb) |
| BUD6493 | TCS0070 | 2150 mm (84,6 in) | 1500 mm (59,1 in) | 2552 mm (100,5 in) | 2050 mm (80,7 in) | 1000 mm (39,4 in) | 3 | 800 kg (1764 lb) | 685 kg (1510 lb) |
| BUD6440 | TCS0075 | 2150 mm (84,6 in) | 1500 mm (59,1 in) | 2552 mm (100,5 in) | 2400 mm (94,5 in) | 1200 mm (47,2 in) | 3 | 800 kg (1764 lb) | 685 kg (1510 lb) |
| BUD6441 | TCS0076 | 2150 mm (84,6 in) | 1500 mm (59,1 in) | 2552 mm (100,5 in) | 2400 mm (94,5 in) | 1200 mm (47,2 in) | 3 | 800 kg (1764 lb) | 685 kg (1510 lb) |

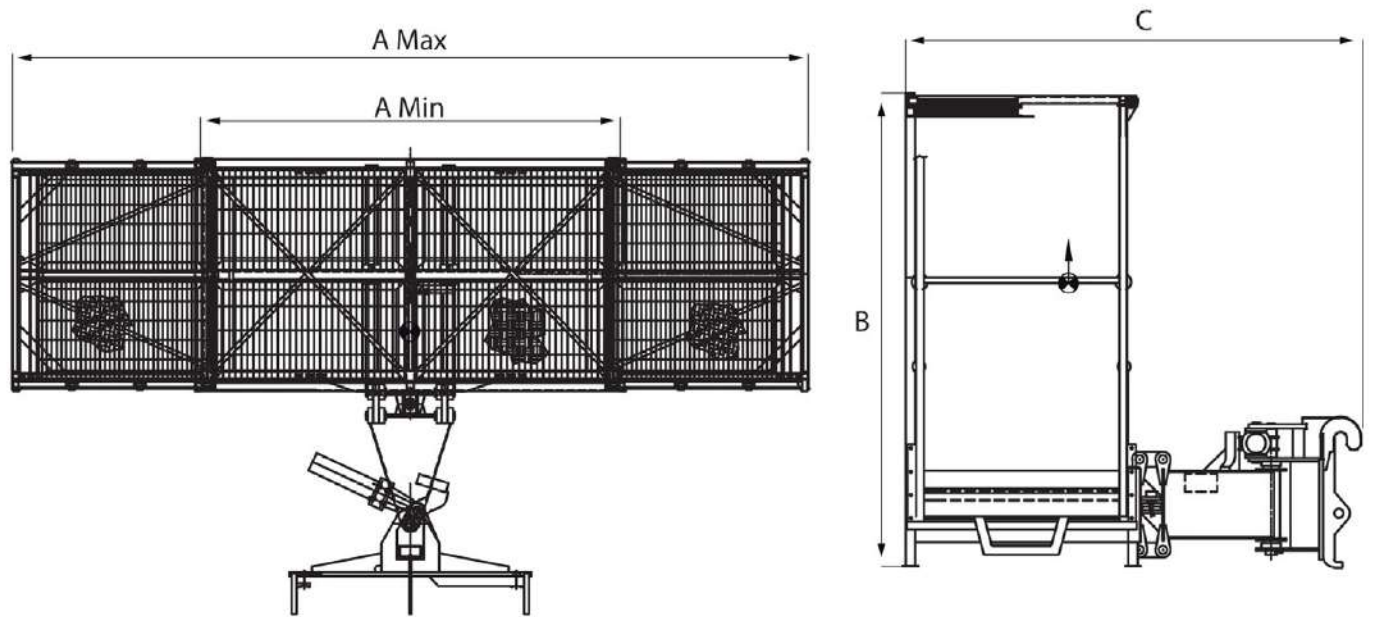
Extensible Trilateral basket



Trilateral hydraulic rotation basket, extensible by hydraulic cylinders, suitable for transporting people and materials at height.



Technical Data



| | Code | A | B | C | A | A ^{max} | C | | | | |
|---------|---------|----------------------|----------------------|-----------------------|----------------------|-----------------------|----------------------|----------------------|---|---------------------|----------------------|
| BUD6454 | TCS0010 | 2410 mm (94,9 in) | 1490 mm (58,7 in) | 2354 mm (92,7 in) | 2400 mm (94,5 in) | 4120 mm (162,2 in) | 1200 mm (47,2 in) | Hydraulic | 3 | 300 kg (661 lb) | 685 kg (1510 lb) |
| BUD6427 | TCS0011 | 2410 mm (94,9 in) | 1490 mm (58,7 in) | 2354 mm (92,7 in) | 2400 mm (94,5 in) | 4120 mm (162,2 in) | 1200 mm (47,2 in) | Hydraulic | 3 | 300 kg (661 lb) | 685 kg (1510 lb) |
| BUD6456 | TCS0012 | 2400 mm (94,5 in) | 1409 mm (55,5 in) | 2550 mm (100,4 in) | 2400 mm (94,5 in) | 4116 mm (162 in) | 1200 mm (47,2 in) | Hydraulic | 3 | 800 kg (1764 lb) | 985 kg (2172 lb) |
| BUD6429 | TCS0013 | 2400 mm (94,5 in) | 1409 mm (55,5 in) | 2550 mm (100,4 in) | 2400 mm (94,5 in) | 4116 mm (162 in) | 1200 mm (47,2 in) | Hydraulic | 3 | 800 kg (1764 lb) | 985 kg (2172 lb) |
| BUD6458 | TCS0014 | 2470 mm (97,2 in) | 1490 mm (58,7 in) | 2552 mm (100,5 in) | 2400 mm (94,5 in) | 5800 mm (228,3 in) | 1200 mm (47,2 in) | Hydraulic and Manual | 3 | 300 kg (661 lb) | 1165 kg (2568 lb) |
| BUD6425 | TCS0015 | 2470 mm (97,2 in) | 1490 mm (58,7 in) | 2552 mm (100,5 in) | 2400 mm (94,5 in) | 5800 mm (228,3 in) | 1200 mm (47,2 in) | Hydraulic and Manual | 3 | 300 kg (661 lb) | 1165 kg (2568 lb) |
| BUD6488 | TCS0020 | 2410 mm (94,9 in) | 1490 mm (58,7 in) | 2376 mm (93,5 in) | 2400 mm (94,5 in) | 4120 mm (162,2 in) | 1200 mm (47,2 in) | Hydraulic | 3 | 300 kg (661 lb) | 685 kg (1510 lb) |

| | | | | | | | | | | | |
|---------|---------|----------------------|----------------------|-----------------------|----------------------|-----------------------|----------------------|----------------------|---|---------------------|----------------------|
| BUD6490 | TCS0021 | 2400 mm (94,5 in) | 1490 mm (58,7 in) | 2572 mm (101,3 in) | 2400 mm (94,5 in) | 4116 mm (162 in) | 1200 mm (47,2 in) | Hydraulic | 3 | 800 kg (1764 lb) | 985 kg (2172 lb) |
| BUD6426 | TCS0028 | 2410 mm (94,9 in) | 1490 mm (58,7 in) | 2354 mm (92,7 in) | 2400 mm (94,5 in) | 4120 mm (162,2 in) | 1200 mm (47,2 in) | Hydraulic | 3 | 300 kg (661 lb) | 685 kg (1510 lb) |
| BUD6428 | TCS0030 | 2400 mm (94,5 in) | 1409 mm (55,5 in) | 2550 mm (100,4 in) | 2400 mm (94,5 in) | 4116 mm (162 in) | 1200 mm (47,2 in) | Hydraulic | 3 | 800 kg (1764 lb) | 985 kg (2172 lb) |
| BUD6424 | TCS0046 | 2470 mm (97,2 in) | 1490 mm (58,7 in) | 2552 mm (100,5 in) | 2400 mm (94,5 in) | 5800 mm (228,3 in) | 1200 mm (47,2 in) | Hydraulic and Manual | 3 | 300 kg (661 lb) | 1165 kg (2568 lb) |
| BUD6475 | TCS0056 | 2410 mm (94,9 in) | 1490 mm (58,7 in) | 2376 mm (93,5 in) | 2400 mm (94,5 in) | 4120 mm (162,2 in) | 1200 mm (47,2 in) | Hydraulic | 3 | 300 kg (661 lb) | 685 kg (1510 lb) |
| BUD6476 | TCS0057 | 2410 mm (94,9 in) | 1490 mm (58,7 in) | 2376 mm (93,5 in) | 2400 mm (94,5 in) | 4120 mm (162,2 in) | 1200 mm (47,2 in) | Hydraulic | 3 | 300 kg (661 lb) | 685 kg (1510 lb) |
| BUD6479 | TCS0060 | 2400 mm (94,5 in) | 1490 mm (58,7 in) | 2572 mm (101,3 in) | 2400 mm (94,5 in) | 4116 mm (162 in) | 1200 mm (47,2 in) | Hydraulic | 3 | 800 kg (1764 lb) | 985 kg (2172 lb) |
| BUD6480 | TCS0061 | 2400 mm (94,5 in) | 1490 mm (58,7 in) | 2572 mm (101,3 in) | 2400 mm (94,5 in) | 4116 mm (162 in) | 1200 mm (47,2 in) | Hydraulic | 3 | 800 kg (1764 lb) | 985 kg (2172 lb) |

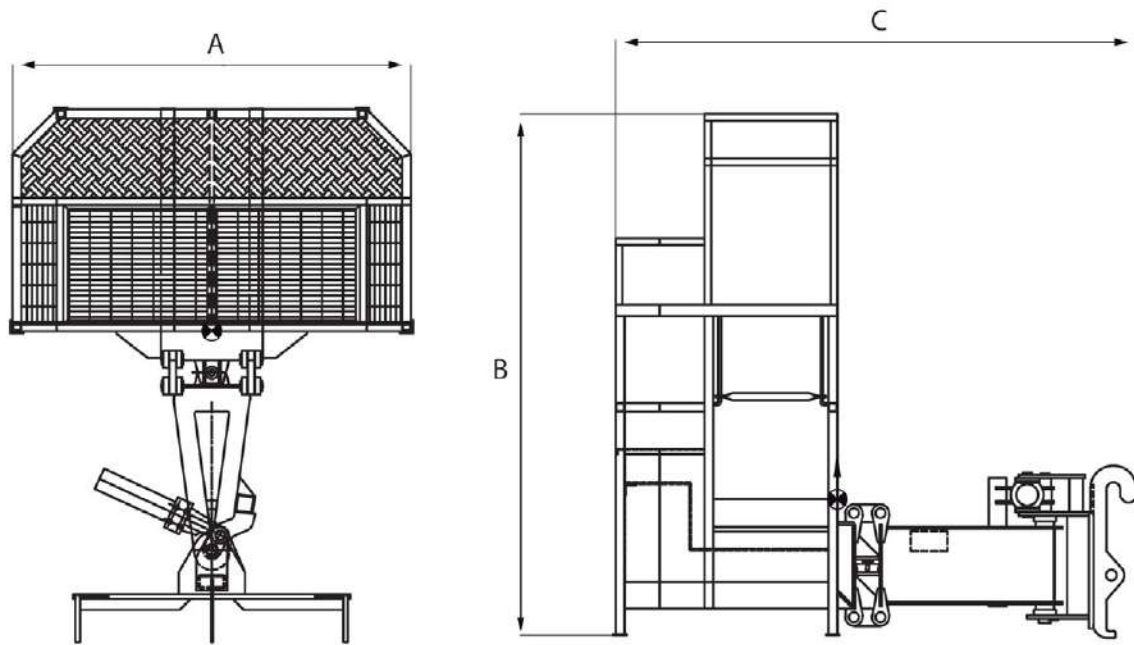
Trilateral basket for tunnels











Trilateral hydraulic rotation basket suitable for transporting people and materials at height equipped with a protective roof suitable for tunnel work.



Technical Data



| | Code |  |  |  |  |  |  |  |  |
|---------|---------|--|--|--|--|--|--|--|--|
| BUD6446 | TCS0032 | 2407 mm (94,8 in) | 2445 mm (96,3 in) | 2356 mm (92,8 in) | 2400 mm (94,5 in) | 1200 mm (47,2 in) | 3 | 400 kg (882 lb) | 1185 kg (2612 lb) |
| BUD6447 | TCS0033 | 2407 mm (94,8 in) | 2445 mm (96,3 in) | 2356 mm (92,8 in) | 2400 mm (94,5 in) | 1200 mm (47,2 in) | 3 | 400 kg (882 lb) | 1185 kg (2612 lb) |
| BUD6430 | TCS0034 | 1800 mm (70,9 in) | 2350 mm (92,5 in) | 2223 mm (87,5 in) | 1800 mm (70,9 in) | 1000 mm (39,4 in) | 2 | 300 kg (661 lb) | 775 kg (1709 lb) |
| BUD6431 | TCS0035 | 1800 mm (70,9 in) | 2350 mm (92,5 in) | 2223 mm (87,5 in) | 1800 mm (70,9 in) | 1000 mm (39,4 in) | 2 | 300 kg (661 lb) | 775 kg (1709 lb) |
| BUD6432 | TCS0036 | 1800 mm (70,9 in) | 2350 mm (92,5 in) | 2352 mm (92,6 in) | 1800 mm (70,9 in) | 1000 mm (39,4 in) | 2 | 800 kg (1764 lb) | 845 kg (1863 lb) |
| BUD6433 | TCS0037 | 1800 mm (70,9 in) | 2350 mm (92,5 in) | 2352 mm (92,6 in) | 1800 mm (70,9 in) | 1000 mm (39,4 in) | 2 | 800 kg (1764 lb) | 845 kg (1863 lb) |
| BUD6481 | TCS0062 | 1800 mm (70,9 in) | 2350 mm (92,5 in) | 2352 mm (92,6 in) | 1800 mm (70,9 in) | 1000 mm (39,4 in) | 2 | 300 kg (661 lb) | 760 kg (1676 lb) |
| BUD6482 | TCS0063 | 1800 mm (70,9 in) | 2350 mm (92,5 in) | 2352 mm (92,6 in) | 1800 mm (70,9 in) | 1000 mm (39,4 in) | 2 | 300 kg (661 lb) | 760 kg (1676 lb) |
| BUD6483 | TCS0064 | 1800 mm (70,9 in) | 2350 mm (92,5 in) | 2352 mm (92,6 in) | 1800 mm (70,9 in) | 1000 mm (39,4 in) | 2 | 300 kg (661 lb) | 760 kg (1676 lb) |
| BUD6484 | TCS0065 | 1800 mm (70,9 in) | 2350 mm (92,5 in) | 2352 mm (92,6 in) | 1800 mm (70,9 in) | 1000 mm (39,4 in) | 2 | 300 kg (661 lb) | 760 kg (1676 lb) |

Volvo type basket

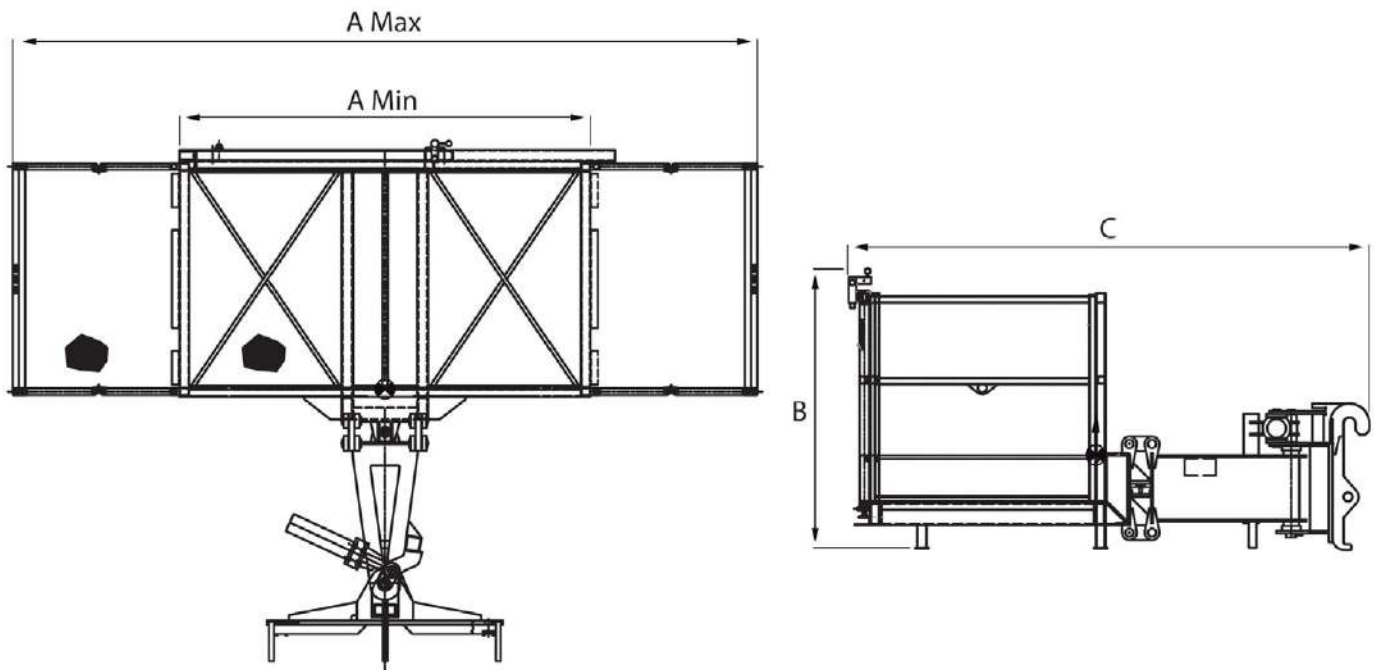


Trilateral hydraulic rotation basket, extensible by hydraulic cylinders, suitable for transporting people and materials at height.

The basket is equipped with a specific coupling which makes it compatible with Volvo brand vehicles.



Technical Data



| | Code | A | B | C | A | A ^{max} | C | | | | |
|---------|---------|----------------------|----------------------|----------------------|----------------------|-----------------------|----------------------|-----------|---|--------------------|---------------------|
| BUD6439 | TCS0041 | 2410 mm (94,9 in) | 1487 mm (58,5 in) | 2341 mm (92,2 in) | 2400 mm (94,5 in) | 4120 mm (162,2 in) | 1200 mm (47,2 in) | Hydraulic | 3 | 300 kg (661 lb) | 685 kg (1510 lb) |
| BUD6467 | TCS0049 | 2410 mm (94,9 in) | 1487 mm (58,5 in) | 2341 mm (92,2 in) | 2400 mm (94,5 in) | 4120 mm (162,2 in) | 1200 mm (47,2 in) | Hydraulic | 3 | 300 kg (661 lb) | 685 kg (1510 lb) |

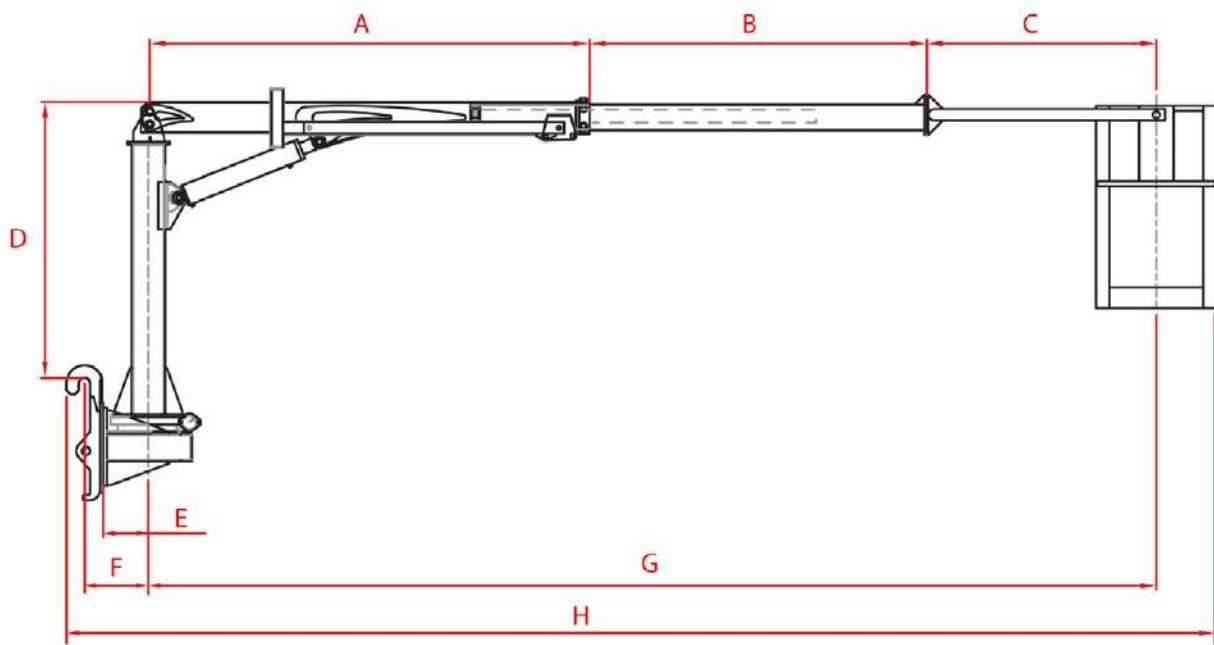
Positive / Negative jib**Positive / Negative jib**

Jib equipped with basket for transporting people and materials.

The particularity of this accessory is that it allows the operator to get off under the vehicle walking surface.



Technical Data



| | |
|--|---------------------|
| A | 2540 mm (99.99 in) |
| B | 2095 mm (82.48 in) |
| C | 1323 mm (52.08 in) |
| D | 1595 mm (62.79 in) |
| E | 260 mm (10.23 in) |
| F | 370 mm (14.56 in) |
| G | 2965 mm (116.73 in) |
| H | 7000 mm (275.59 in) |
| Positive/negative Jib weight | 950 kg (2090 lb) |
| Positive Jib weight | 750 kg (1650 lb) |
| Maximum capacity- Maximum flow rate | 200 kg (440 lb) |
| Persons | 2 |

Baskets with lifting equipment

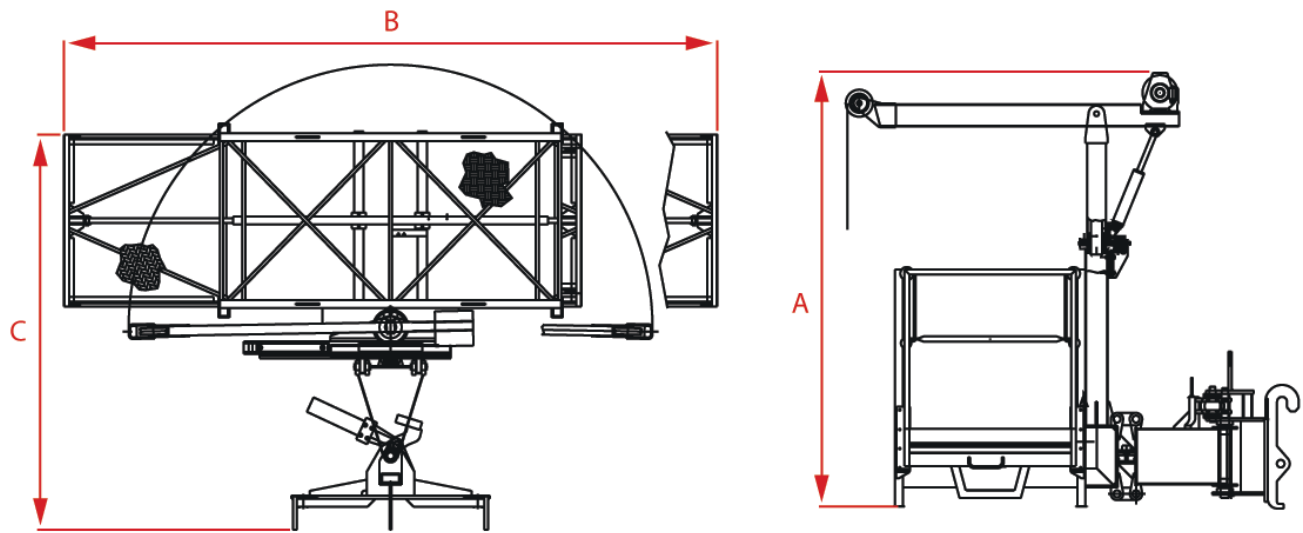
Extensible Trilateral basket with winch

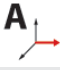












Extensible trilateral basket suitable for transporting people and materials. The basket is equipped with a jib with integrated winch that allows lifting material easily even while remaining at height.



Technical Data



| | Code |  |  |  |  |  |  |  |  |  |  |  |
|---------|------|--|--|--|--|--|--|---|--|--|--|--|
| BUD6505 | 0 | 2406 mm (94,7 in) | 2739 mm (107, 8 in) | 2554 mm (100, 6 in) | 2150 mm (84,6 in) | 4116 mm (162 in) | 1000 mm (39,4 in) | Hydraulic | 3 | Single | 600 kg (1323 lb) | 1215 kg (2679 lb) |

Baskets for landing at high altitude

Extensible Trilateral basket with front opening

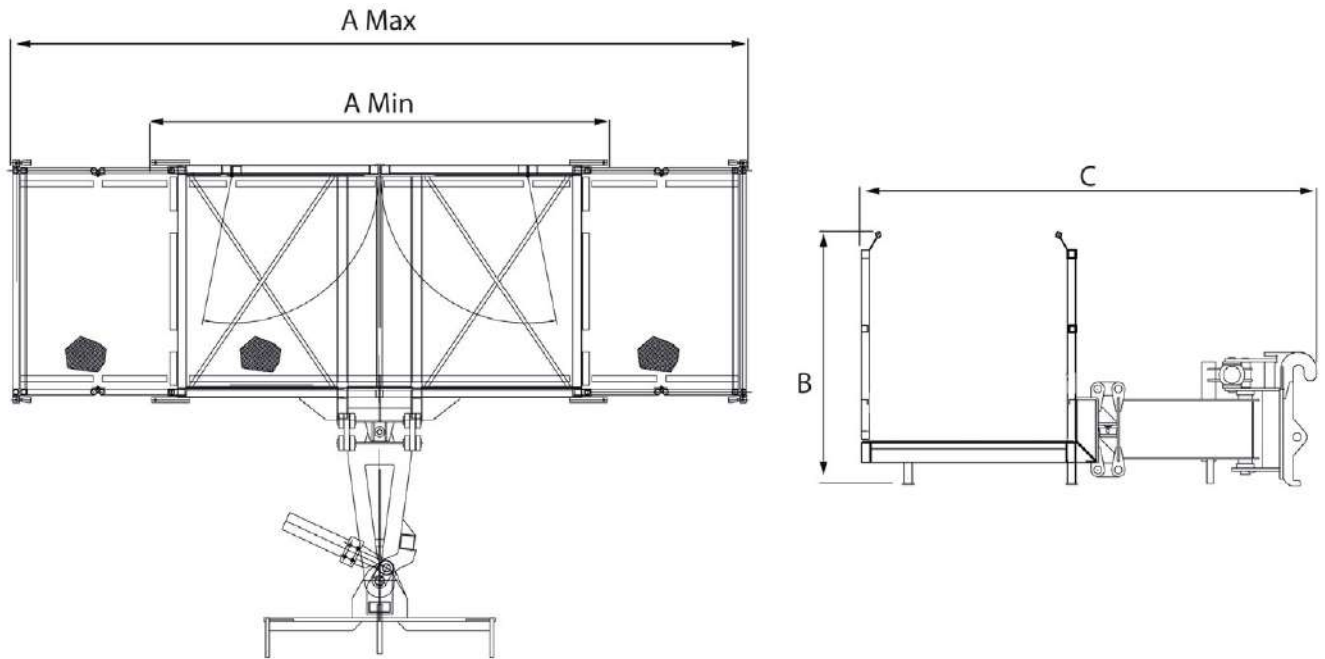


Trilateral hydraulic rotation basket, extensible by hydraulic cylinders, suitable for transporting people and materials at height.

The particular design allows opening a double swing door so that operators can get out.



Technical Data



| | Code | A | B | C | A | A ^{max} | C | | | | |
|---------|---------|----------------------|----------------------|-----------------------|----------------------|-----------------------|----------------------|--------|---|---------------------|---------------------|
| | | | | | | | | | | | |
| BUD6497 | TCS0072 | 2180 mm (85,8 in) | 1464 mm (57,6 in) | 2653 mm (104,4 in) | 2200 mm (86,6 in) | 3960 mm (155,9 in) | 1200 mm (47,2 in) | Manual | 2 | 500 kg (1102 lb) | 845 kg (1863 lb) |
| BUD6498 | TCS0073 | 2180 mm (85,8 in) | 1464 mm (57,6 in) | 2653 mm (104,4 in) | 2200 mm (86,6 in) | 3960 mm (155,9 in) | 1200 mm (47,2 in) | Manual | 2 | 500 kg (1102 lb) | 845 kg (1863 lb) |
| BUD6499 | TCS0074 | 2180 mm (85,8 in) | 1464 mm (57,6 in) | 2653 mm (104,4 in) | 2200 mm (86,6 in) | 3960 mm (155,9 in) | 1200 mm (47,2 in) | Manual | 2 | 500 kg (1102 lb) | 845 kg (1863 lb) |
| BUD6501 | TCS0085 | 2180 mm (85,8 in) | 1464 mm (57,6 in) | 2653 mm (104,4 in) | 2200 mm (86,6 in) | 3960 mm (155,9 in) | 1200 mm (47,2 in) | Manual | 2 | 500 kg (1102 lb) | 845 kg (1863 lb) |

Accessories

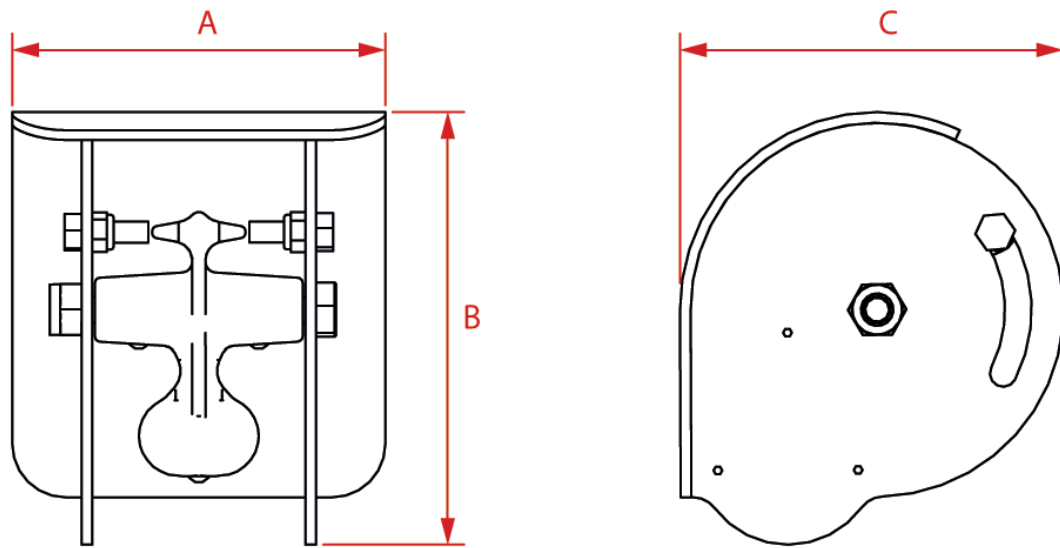
Bucket

Level indicator



Optional equipment on all types of buckets and forks.

Technical Data



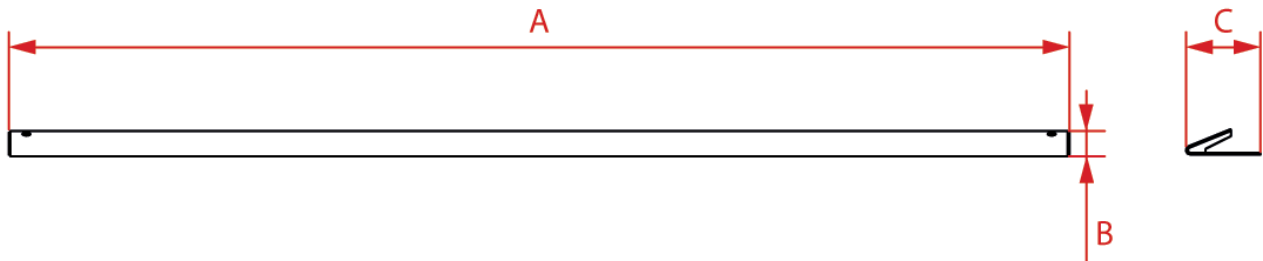
| | Code | A | B | C |  |
|---------|---------|-----------------|-----------------|-----------------|--|
| DRE3511 | TBN0132 | 140 mm (5,5 in) | 162 mm (6,4 in) | 165 mm (6,5 in) | 2,6 kg (6 lb) |


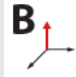
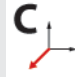

Blade protector and/or teeth cover

Optional equipment on all types of buckets.



Technical Data



| | Code |  |  |  |  |
|-----------------|---------|--|---|--|--|
| ASMCM0000217-0G | TBN0131 | 1980 mm (78 in) | 47 mm (1,9 in) | 139 mm (5,5 in) | 10,8 kg (24 lb) |
| ASMCM0000273-0G | TBN0230 | 2100 mm (82,7 in) | 47 mm (1,9 in) | 139 mm (5,5 in) | 11,5 kg (25 lb) |
| ASMCM0000283-0G | TBN0231 | 1900 mm (74,8 in) | 47 mm (1,9 in) | 139 mm (5,5 in) | 10,5 kg (23 lb) |
| ASMCM0000355-0G | TBN0235 | 1500 mm (59,1 in) | 47 mm (1,9 in) | 139 mm (5,5 in) | 8,2 kg (18 lb) |
| ASMCM0000192-0G | TBN0144 | 2400 mm (94,5 in) | 47 mm (1,9 in) | 139 mm (5,5 in) | 13,5 kg (30 lb) |
| ASMCM0000248-0G | TBN0143 | 2300 mm (90,6 in) | 47 mm (1,9 in) | 139 mm (5,5 in) | 12,7 kg (28 lb) |
| ASMCM0000325-0G | TBN0234 | 2450 mm (96,5 in) | 47 mm (1,9 in) | 139 mm (5,5 in) | 13,5 kg (30 lb) |

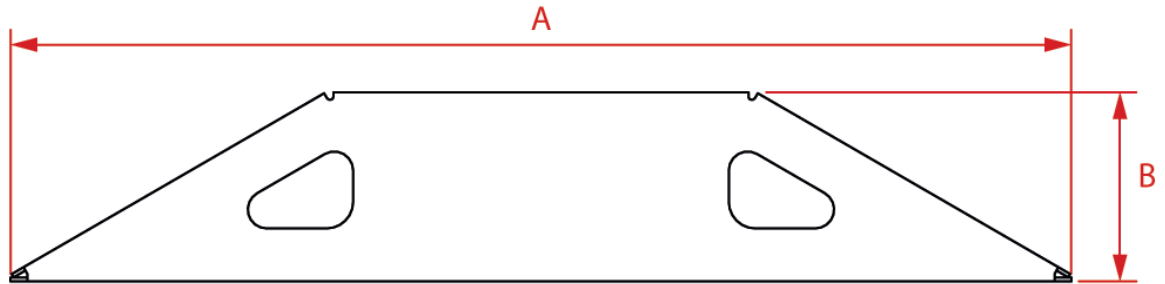
Full rear guard






Optional equipment for:

- Bucket for light materials
- Excavating bucket with teeth
- Excavating bucket without teeth
- 4 in 1 bucket

Technical Data



| | Code | A  | B  |  |
|-----------------|---------|--|--|--|
| ASMCM0000191-0G | TBN0129 | 1406 mm (55,4 in) | 250 mm (9,8 in) | 15 kg (33 lb) |
| ASMCM0000257-0G | TBN0141 | 1750 mm (68,9 in) | 400 mm (15,7 in) | 23,7 kg (52 lb) |

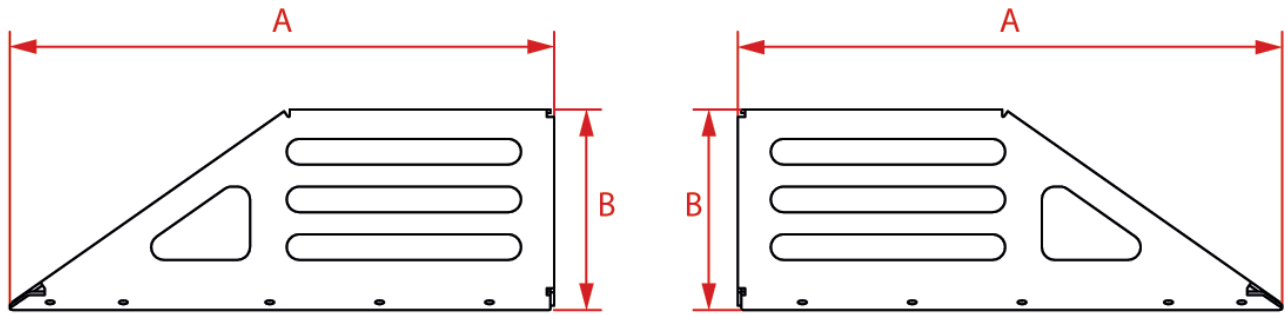
Split rear guard




Optional equipment for:

- Bucket with grab
- Forks with grab

Technical Data



| | Code | A | B |  |
|-----------------|---------|------------------|------------------|--|
| ASMCM0000210-0G | TBN0130 | 743 mm (29,3 in) | 273 mm (10,7 in) | 7,5 kg (17 lb) |
| ASMCM0000211-0G | TBN0130 | 743 mm (29,3 in) | 273 mm (10,7 in) | 7,5 kg (17 lb) |
| ASMCM0000258-0G | TBN0142 | 743 mm (29,3 in) | 423 mm (16,7 in) | 8,7 kg (19 lb) |
| ASMCM0000259-0G | TBN0142 | 743 mm (29,3 in) | 423 mm (16,7 in) | 8,7 kg (19 lb) |

Detailed table of contents

| | | | | | | | |
|---------|------------|---------|------------|---------|-----------|---------|------------|
| BUD1166 | 61 | TBN0129 | 121 | TBN0182 | 14 | TBN0227 | 43 |
| BUD1170 | 59 | TBN0130 | 123 | TBN0183 | 14 | TBN0228 | 43 |
| BUD1171 | 59 | TBN0131 | 119 | TBN0184 | 14 | TBN0229 | 43 |
| BUD1172 | 61 | TBN0132 | 117 | TBN0185 | 14 | TBN0230 | 119 |
| BUD1173 | 63 | TBN0133 | 40 | TBN0186 | 14 | TBN0231 | 119 |
| BUD1174 | 63 | TBN0134 | 40 | TBN0187 | 14 | TBN0234 | 119 |
| BUD2728 | 49 | TBN0135 | 40 | TBN0188 | 14 | TBN0235 | 119 |
| BUD4061 | 81 | TBN0137 | 46 | TBN0189 | 14 | TBN0246 | 49 |
| BUD4063 | 81 | TBN0138 | 46 | TBN0190 | 14 | TBN0254 | 49 |
| BUD4064 | 79 | TBN0139 | 43 | TBN0191 | 11 | TBN0259 | 49 |
| BUD4065 | 79 | TBN0140 | 43 | TBN0192 | 11 | TCS0001 | 97 |
| BUD4066 | 83 | TBN0141 | 121 | TBN0193 | 11 | TCS0002 | 17 |
| BUD4067 | 83 | TBN0142 | 123 | TBN0194 | 11 | TCS0003 | 97 |
| BUD4564 | 71 | TBN0143 | 119 | TBN0195 | 8 | TCS0004 | 97 |
| BUD6453 | 101 | TBN0144 | 119 | TBN0196 | 8 | TCS0005 | 97 |
| BUD6505 | 113 | TBN0148 | 11 | TBN0197 | 8 | TCS0006 | 99 |
| TBN0034 | 51 | TBN0150 | 14 | TBN0198 | 8 | TCS0007 | 99 |
| TBN0035 | 51 | TBN0151 | 14 | TBN0199 | 8 | TCS0008 | 101 |
| TBN0051 | 51 | TBN0152 | 14 | TBN0200 | 8 | TCS0010 | 104 |
| TBN0066 | 51 | TBN0153 | 14 | TBN0201 | 8 | TCS0011 | 104 |
| TBN0077 | 51 | TBN0156 | 14 | TBN0202 | 8 | TCS0012 | 104 |
| TBN0079 | 51 | TBN0157 | 14 | TBN0203 | 8 | TCS0013 | 104 |
| TBN0088 | 51 | TBN0158 | 14 | TBN0204 | 8 | TCS0014 | 104 |
| TBN0089 | 51 | TBN0159 | 14 | TBN0205 | 8 | TCS0015 | 104 |
| TBN0102 | 11 | TBN0161 | 11 | TBN0206 | 8 | TCS0016 | 17 |
| TBN0105 | 11 | TBN0162 | 11 | TBN0207 | 8 | TCS0017 | 97 |
| TBN0106 | 8 | TBN0163 | 11 | TBN0208 | 8 | TCS0018 | 99 |
| TBN0107 | 8 | TBN0164 | 11 | TBN0209 | 8 | TCS0019 | 101 |
| TBN0108 | 8 | TBN0165 | 8 | TBN0210 | 8 | TCS0020 | 104 |
| TBN0109 | 8 | TBN0166 | 8 | TBN0211 | 8 | TCS0021 | 104 |
| TBN0113 | 46 | TBN0167 | 8 | TBN0212 | 8 | TCS0022 | 97 |
| TBN0114 | 8 | TBN0168 | 8 | TBN0213 | 40 | TCS0024 | 99 |
| TBN0115 | 14 | TBN0169 | 8 | TBN0214 | 40 | TCS0026 | 101 |
| TBN0116 | 14 | TBN0170 | 8 | TBN0215 | 40 | TCS0028 | 104 |
| TBN0117 | 11 | TBN0171 | 8 | TBN0216 | 40 | TCS0030 | 104 |
| TBN0118 | 40 | TBN0172 | 8 | TBN0217 | 40 | TCS0032 | 107 |
| TBN0119 | 40 | TBN0173 | 40 | TBN0218 | 46 | TCS0033 | 107 |
| TBN0120 | 40 | TBN0174 | 40 | TBN0219 | 46 | TCS0034 | 107 |
| TBN0121 | 11 | TBN0175 | 40 | TBN0220 | 46 | TCS0035 | 107 |
| TBN0122 | 14 | TBN0176 | 40 | TBN0221 | 46 | TCS0036 | 107 |
| TBN0123 | 14 | TBN0177 | 46 | TBN0222 | 46 | TCS0037 | 107 |
| TBN0124 | 8 | TBN0178 | 46 | TBN0223 | 46 | TCS0041 | 109 |
| TBN0126 | 46 | TBN0179 | 46 | TBN0224 | 43 | TCS0044 | 97 |
| TBN0127 | 8 | TBN0180 | 46 | TBN0225 | 43 | TCS0045 | 17 |
| TBN0128 | 8 | TBN0181 | 14 | TBN0226 | 43 | TCS0046 | 104 |

| | | | | | | | |
|---------|------------|---------|-----------|---------|------------|---------|-----------|
| TCS0047 | 101 | TFR0004 | 26 | TGN0046 | 79 | TSL0042 | 93 |
| TCS0048 | 101 | TFR0006 | 26 | TGN0047 | 81 | TSL0043 | 95 |
| TCS0049 | 109 | TFR0007 | 26 | TGN0048 | 85 | TSL0045 | 91 |
| TCS0050 | 97 | TFR0008 | 26 | TGN0049 | 85 | TSL0046 | 91 |
| TCS0051 | 97 | TFR0010 | 26 | TGN0052 | 83 | TSL0049 | 89 |
| TCS0052 | 99 | TFR0018 | 26 | TGN0053 | 83 | TSL0050 | 93 |
| TCS0053 | 99 | TFR0021 | 26 | TGN0057 | 73 | TSL0051 | 89 |
| TCS0054 | 101 | TFR0022 | 26 | TGN0063 | 31 | TSL0053 | 89 |
| TCS0055 | 101 | TFR0023 | 26 | TGN0064 | 77 | TSL0054 | 93 |
| TCS0056 | 104 | TFR0024 | 26 | TGN0065 | 77 | TSL0055 | 87 |
| TCS0057 | 104 | TFR0025 | 26 | TGN0066 | 77 | TSL0056 | 87 |
| TCS0058 | 101 | TFR0027 | 26 | TGN0067 | 75 | TSL0057 | 87 |
| TCS0059 | 101 | TGN0003 | 65 | TGN0068 | 67 | TSL0058 | 95 |
| TCS0060 | 104 | TGN0007 | 29 | TGN0069 | 71 | TSL0060 | 89 |
| TCS0061 | 104 | TGN0008 | 31 | TGN0072 | 61 | TSL0064 | 93 |
| TCS0062 | 107 | TGN0009 | 55 | TGN0074 | 77 | TSL0065 | 93 |
| TCS0063 | 107 | TGN0010 | 57 | TSL0002 | 93 | TSL0066 | 87 |
| TCS0064 | 107 | TGN0012 | 53 | TSL0004 | 93 | TSL0067 | 91 |
| TCS0065 | 107 | TGN0013 | 57 | TSL0005 | 87 | TSL0068 | 91 |
| TCS0066 | 97 | TGN0015 | 53 | TSL0006 | 95 | TSL0070 | 87 |
| TCS0067 | 17 | TGN0016 | 69 | TSL0007 | 91 | TSL0071 | 89 |
| TCS0069 | 97 | TGN0017 | 65 | TSL0008 | 89 | | |
| TCS0070 | 101 | TGN0018 | 29 | TSL0009 | 93 | | |
| TCS0071 | 97 | TGN0019 | 31 | TSL0010 | 87 | | |
| TCS0072 | 115 | TGN0020 | 55 | TSL0011 | 89 | | |
| TCS0073 | 115 | TGN0021 | 57 | TSL0012 | 93 | | |
| TCS0074 | 115 | TGN0022 | 75 | TSL0013 | 89 | | |
| TCS0075 | 101 | TGN0023 | 73 | TSL0014 | 93 | | |
| TCS0076 | 101 | TGN0026 | 59 | TSL0015 | 87 | | |
| TCS0085 | 115 | TGN0027 | 61 | TSL0016 | 87 | | |
| TCV0001 | 33 | TGN0028 | 63 | TSL0017 | 87 | | |
| TCV0002 | 19 | TGN0029 | 79 | TSL0018 | 95 | | |
| TCV0007 | 19 | TGN0030 | 81 | TSL0019 | 91 | | |
| TCV0008 | 33 | TGN0031 | 85 | TSL0020 | 95 | | |
| TCV0009 | 33 | TGN0033 | 83 | TSL0021 | 111 | | |
| TCV0010 | 33 | TGN0034 | 69 | TSL0030 | 87 | | |
| TCV0011 | 19 | TGN0035 | 65 | TSL0031 | 89 | | |
| TCV0015 | 37 | TGN0036 | 29 | TSL0032 | 93 | | |
| TCV0016 | 37 | TGN0037 | 57 | TSL0033 | 89 | | |
| TCV0017 | 23 | TGN0038 | 63 | TSL0034 | 93 | | |
| TCV0018 | 21 | TGN0039 | 59 | TSL0035 | 89 | | |
| TCV0019 | 35 | TGN0040 | 61 | TSL0036 | 93 | | |
| TCV0020 | 35 | TGN0041 | 79 | TSL0037 | 87 | | |
| TCV0021 | 35 | TGN0042 | 81 | TSL0038 | 95 | | |
| TCV0022 | 35 | TGN0043 | 59 | TSL0039 | 89 | | |
| TCV0023 | 35 | TGN0044 | 61 | TSL0040 | 93 | | |
| TFR0001 | 26 | TGN0045 | 63 | TSL0041 | 89 | | |