

DIECI



DUMPERS

DP 70 | DP 120



dieci.com

GENERAL INFORMATION

Vehicle model	DP 70	DP 120
Maximum capacity	7000 kg (15432 lb)	12000 kg (26455 lb)
Caisson capacity (level)	4,2 m ³ (148 ft ³)	6,50 m ³ (230 ft ³)
Caisson capacity (heaped)	5,3 m ³ (187 ft ³)	7,50 m ³ (265 ft ³)
Unladen weight	5800 kg (12787 lb)	6800 kg (14991 lb)
Standard tires	16/70-20"	12.00 - 24"
Max speed (referred to wheels with maximum permitted diameter)	27 km/h (16,8 mph)	27 km/h (16,8 mph)
Notes	Dump body with rear hydraulic tipping.	Dump body with rear hydraulic tipping.

ENGINE

Vehicle model	DP 70	DP 120
Brand	Perkins	Perkins
Nominal power	85,9 kW (115 HP)	100 kW (134 HP)
@rpm	2200 rpm	2200 rpm
Operation	4-stroke	4-stroke
Injection	Electronic, Common Rail	Electronic, Common Rail
Number and arrangement of cylinders	4, Vertical in line	4, Vertical in line
Displacement	3621 cm ³ (221 in ³)	3621 cm ³ (221 in ³)
Emission standard	Stage V/Tier 4f	Stage V/Tier 4f
Cooling system	Liquid	Liquid
Intake	16-valve turbocharger with aftercooler	16-valve turbocharger with aftercooler

TRANSMISSION

Vehicle model	DP 70	DP 120
Transmission type	Hydrostatic with variable displacement pump	Hydrostatic with variable displacement pump
Transmission gearbox	Servo-controlled 2-speed	Servo-controlled 2-speed

DIFFERENTIAL AXLES

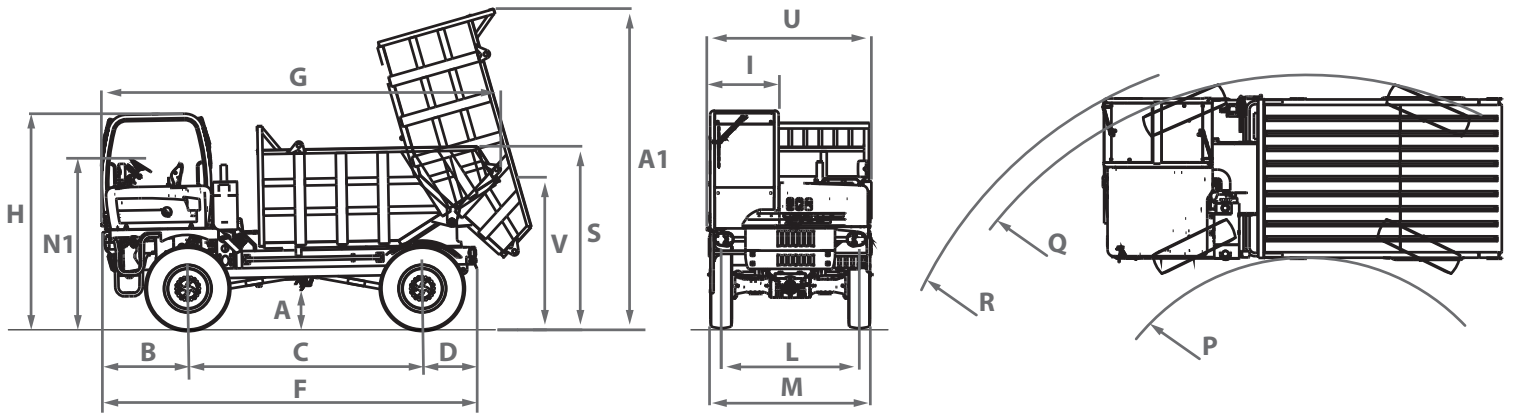
Vehicle model	DP 70	DP 120
Type of axles	2 steering, with 4 epicycloidal reduction gears	2 steering, with 4 epicycloidal reduction gears
Type of steering	4 wheels / transversal / 2 wheels	4 wheels / transversal / 2 wheels
Service braking	Oil bath with servo brake on front and rear axles	Oil bath with servo brake on front and rear axle
Parking braking	Acting on the rear axle	Acting on the front axle

DRIVER'S SEAT and CANOPY

Vehicle model	DP 70	DP 120
Cab description	Reversible driving seat, adjustable seat with seat belts, front and rear windows, 2 window wipers.	Reversible driving seat, adjustable seat with seat belts, front and rear windows, 2 window wipers.
Cab instrumentation	Fuel level gauge, oil and water temperature indicator light, battery charge indicator light, hour meter.	Fuel level gauge, oil and water temperature indicator light, battery charge indicator light, hour meter.
Cab approval	ROPS - FOPS	ROPS - FOPS

DIMENSIONS

Vehicle model	DP 70	DP 120
A	400 mm (15,7 in)	470 mm (18,5 in)
A1	3840 mm (151,2 in)	4960 mm (195,3 in)
B	1375 mm (54,1 in)	1240 mm (48,8 in)
C	2600 mm (102,4 in)	3430 mm (135 in)
D	735 mm (28,9 in)	815 mm (32,1 in)
F	4710 mm (185,4 in)	5485 mm (215,9 in)
G	4970 mm (195,7 in)	5800 mm (228,3 in)
H	2940 mm (115,7 in)	3160 mm (124,4 in)
I	1005 mm (39,6 in)	1005 mm (39,6 in)
L	2000 mm (78,7 in)	1920 mm (75,6 in)
M	2440 mm (96,1 in)	2380 mm (93,7 in)
N1	2400 mm (94,5 in)	2520 mm (99,2 in)
P	2990 mm (117,7 in)	5530 mm (217,7 in)
Q	5260 mm (207,1 in)	8105 mm (319,1 in)
R	5700 mm (224,4 in)	8400 mm (330,7 in)
S	2120 mm (83,5 in)	2435 mm (95,9 in)
U	2330 mm (91,7 in)	2425 mm (95,5 in)
V	1945 mm (76,6 in)	2195 mm (86,4 in)





Dieci Srl - Via E. Majorana, 2-4 - 42027 - Montecchio Emilia (RE) ITALY

Tel. +39 0522 869611 - Fax +39 0522 869798 - E-mail: info@dieci.com - www.dieci.com

DOCCT0000013-EN-05